

KIEV 88TTL KIEV 88

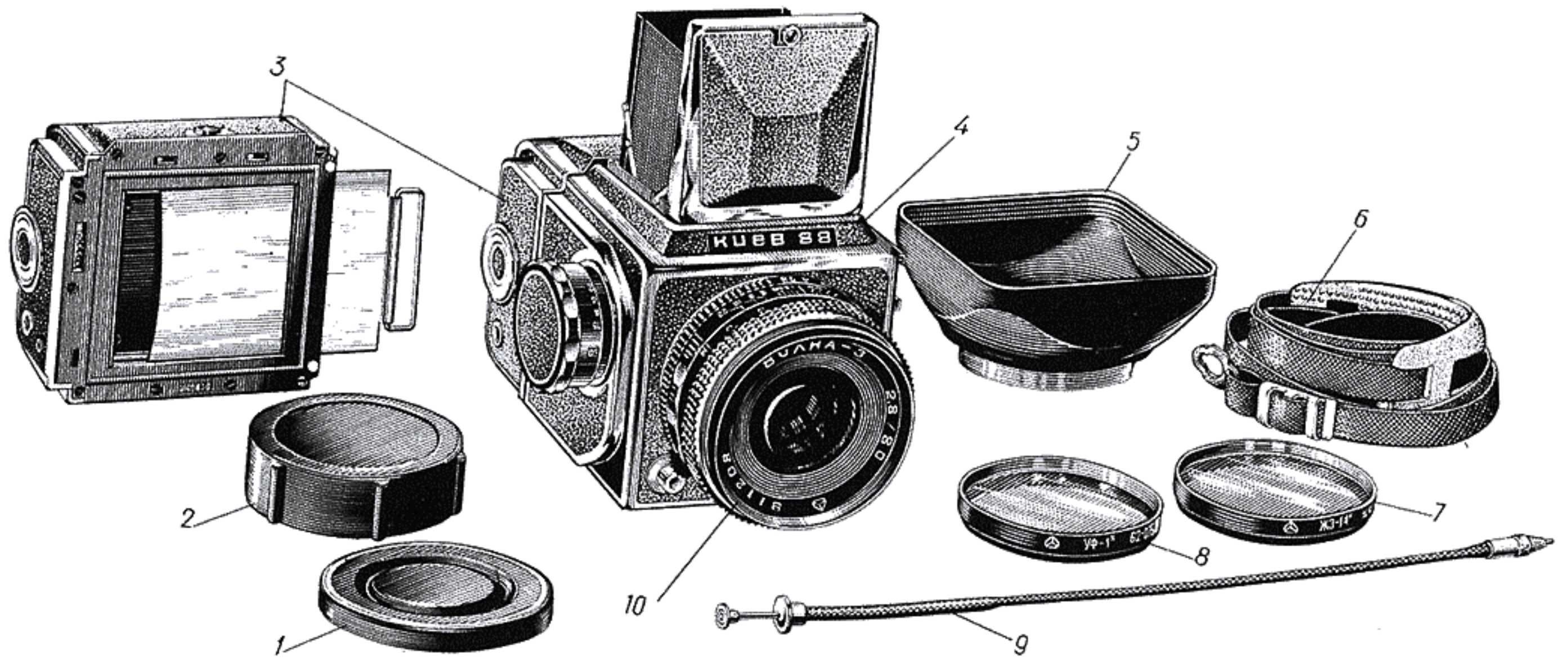
КАТАЛОГ СБОРОЧНЫХ ЕДИНИЦ И ДЕТАЛЕЙ
CATALOGUE OF ASSEMBLY UNITS AND PARTS
CATALOGUE DES UNITES D'ASSEMBLAGE ET DES PIECES
KATALOG FÜR MONTAGEEINHEITEN UND EINZELTEILE
CATALOGO DE UNIDADES DE MONTAJE Y PIEZAS



TENTO

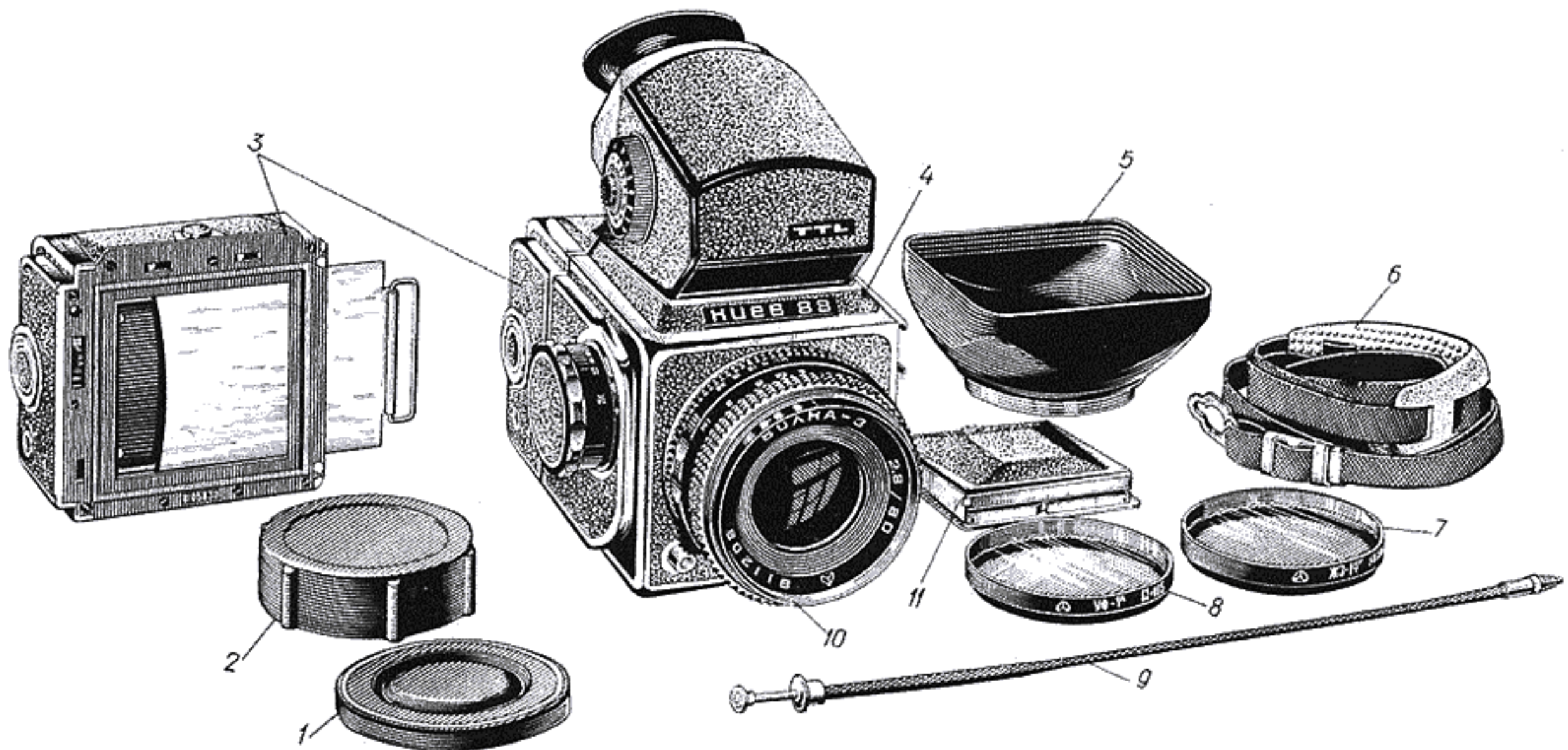
SSSR · MOSKVA

- В связи с постоянной работой по совершенствованию изделия, повышающей его надежность и улучшающей условия эксплуатации, в конструкцию могут быть внесены незначительные изменения, не отраженные в настоящем издании.
- Since efforts are continually made to improve the reliability and performance of the product minor changes may be introduced without special notice.
- Compte tenu des perfectionnements constants du produit visant à améliorer sa fiabilité, ainsi que ses conditions d exploitation, des modifications insignifiantes peuvent être apportées à sa conception sans être signalées dans la présente publication.
- Änderungen im Interesse der Weiterentwicklung vorbehalten.
- Debido al constante perfeccionamiento del artículo con el fin de aumentar su seguridad y mejorar las condiciones de explotación, en su estructura pueden ser introducidas modificaciones insignificantes que no se reflejan en la presente edición.



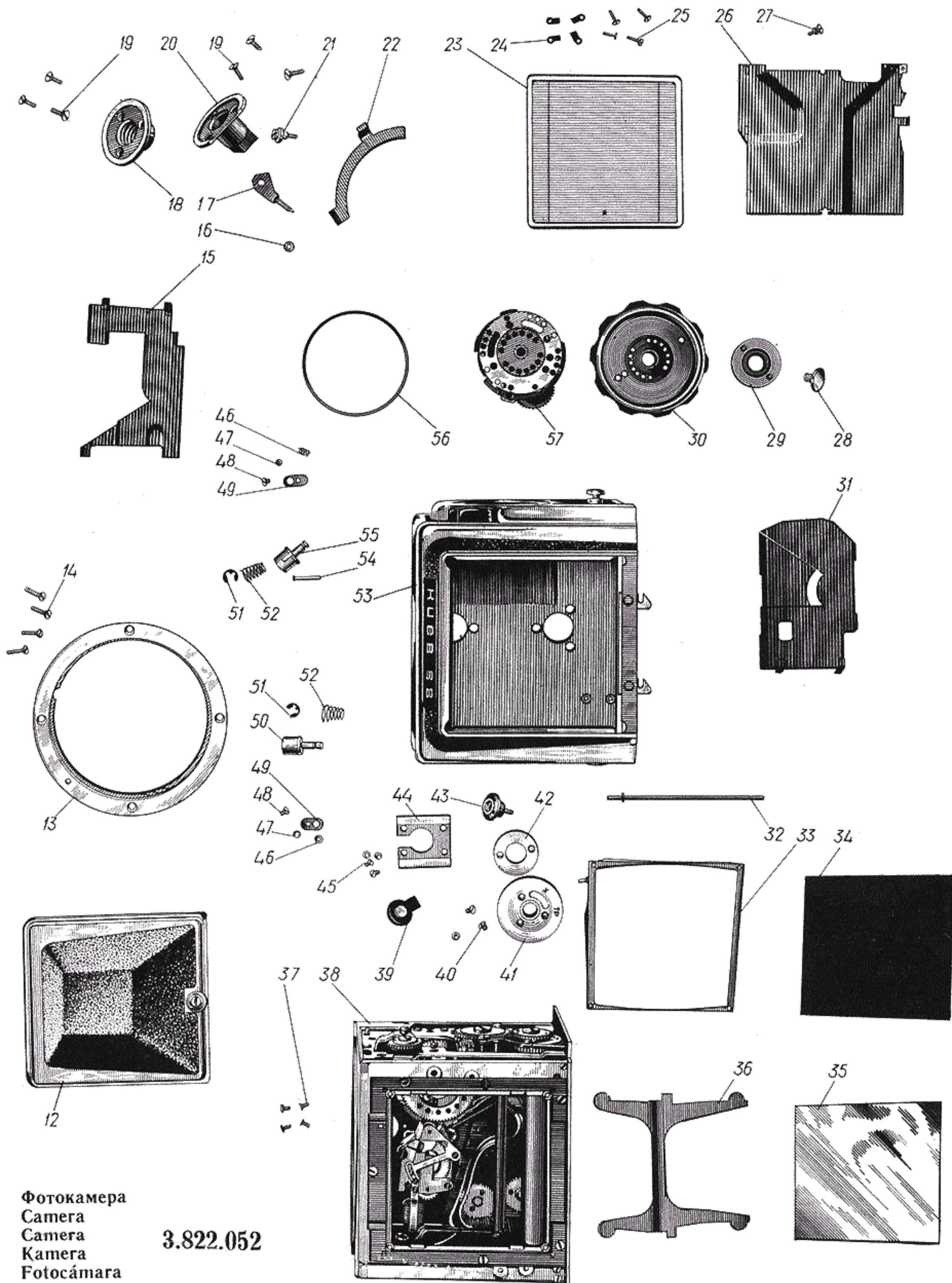
Комплект фотоаппарата «Kiev 88»
 Set of camera KIEV-88
 Jeu de l'appareil photographique KIEV 88
 Fotoapparat, komplett
 Juego de la cámara fotográfica KIEV 88

3.822.053



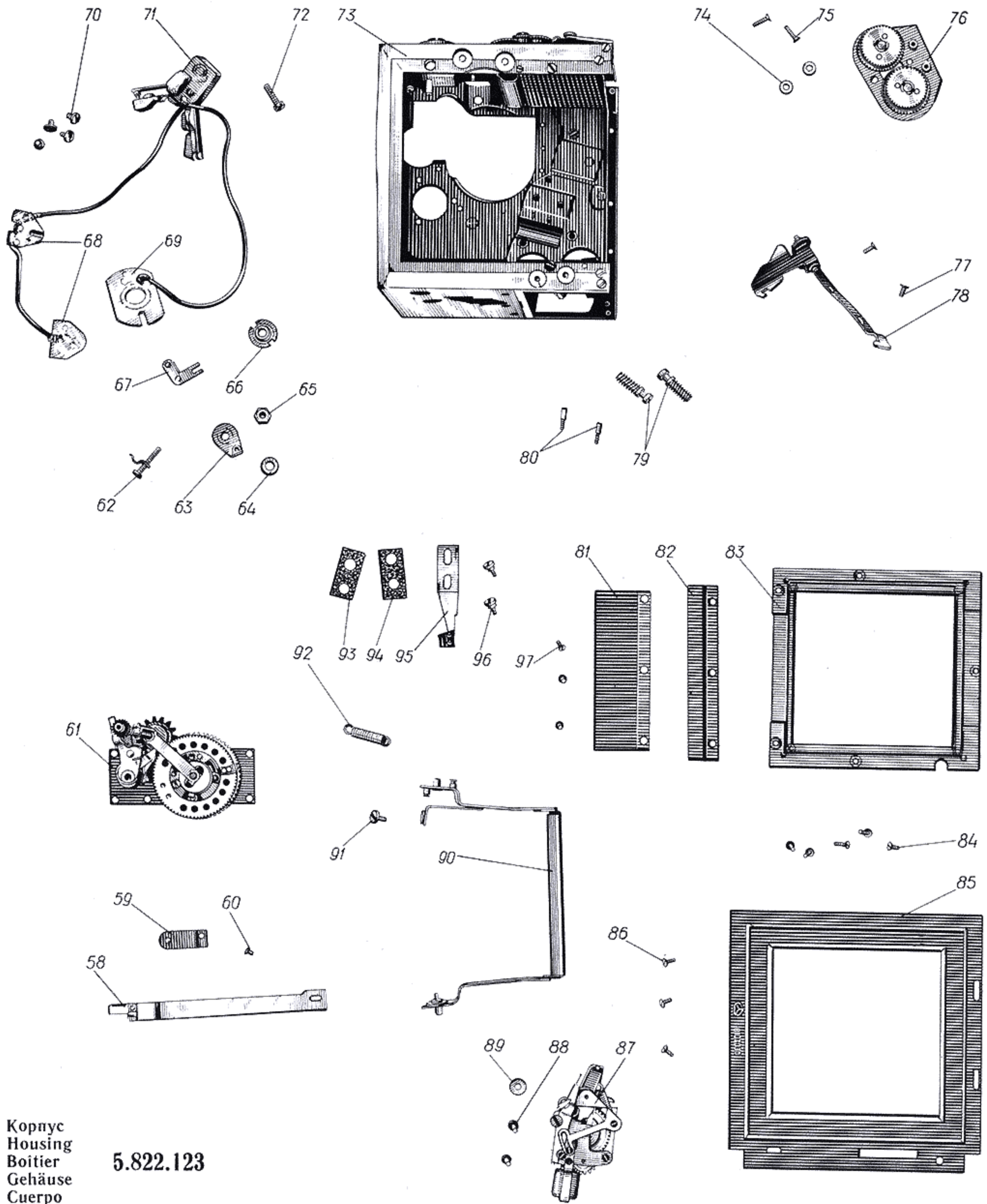
Комплект фотоаппарата «Kiev 88 TTL»
 Set of camera KIEV-88 TTL
 Jeu de l'appareil photographique KIEV 88 TTL
 Fotoapparat, komplett
 Juego de la cámara fotográfica KIEV 88 TTL

3.822.055



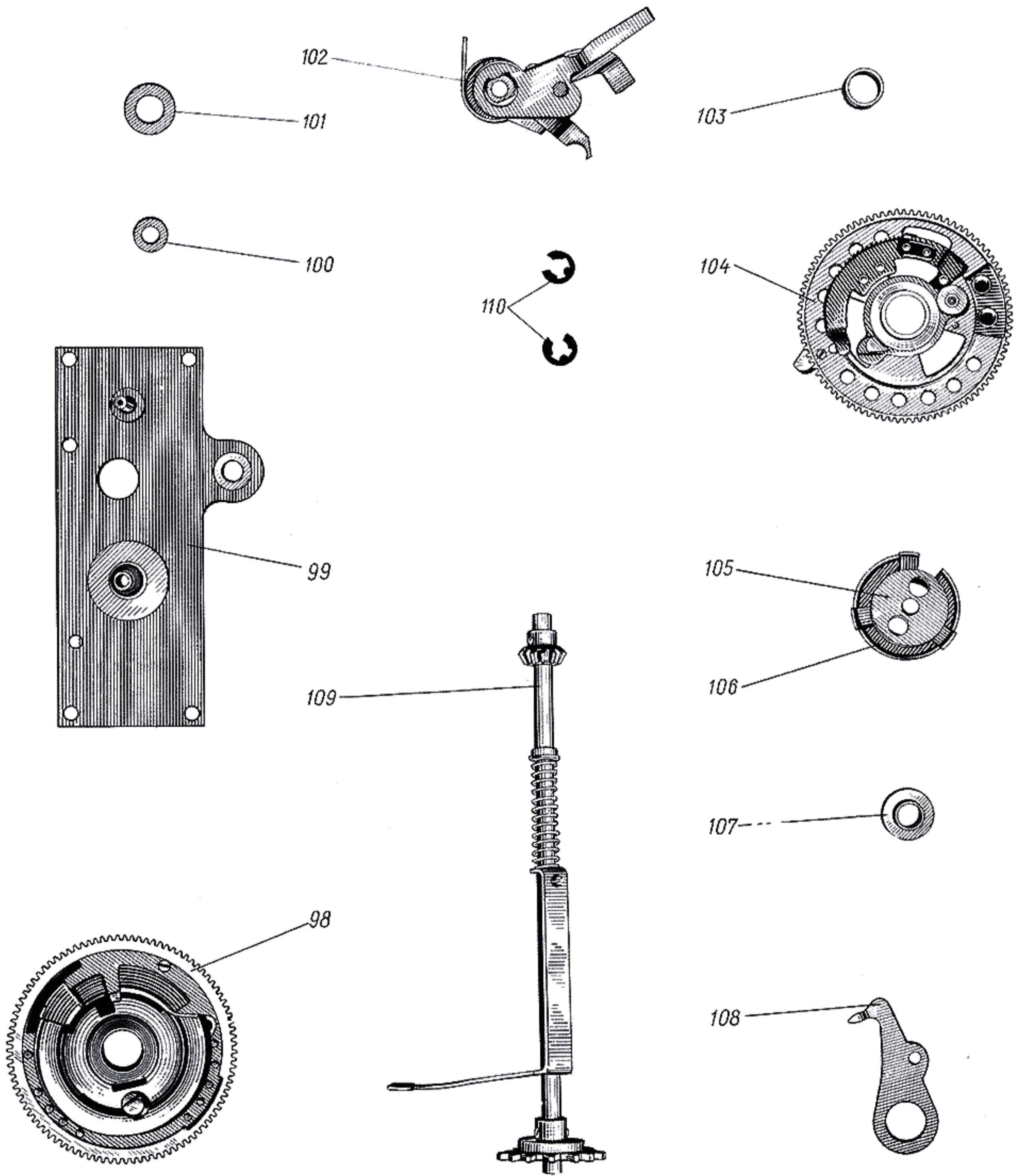
Фотокамера
 Camera
 Camera
 Kamera
 Fotocámara

3.822.052



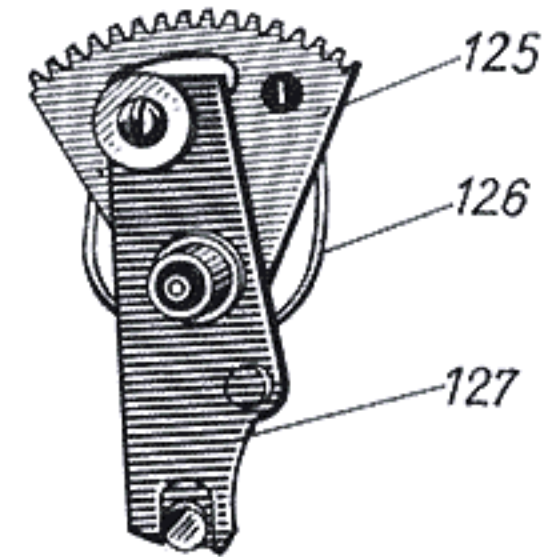
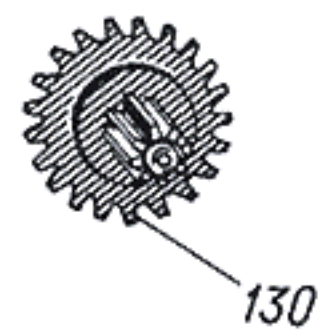
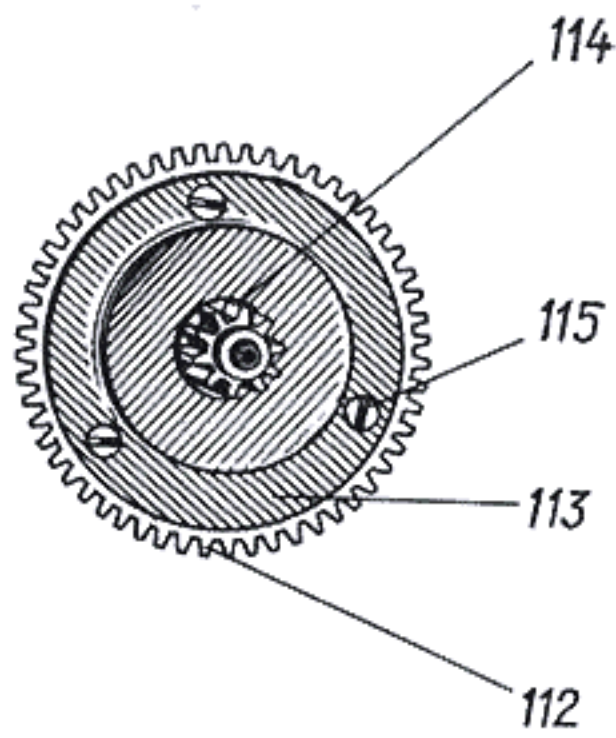
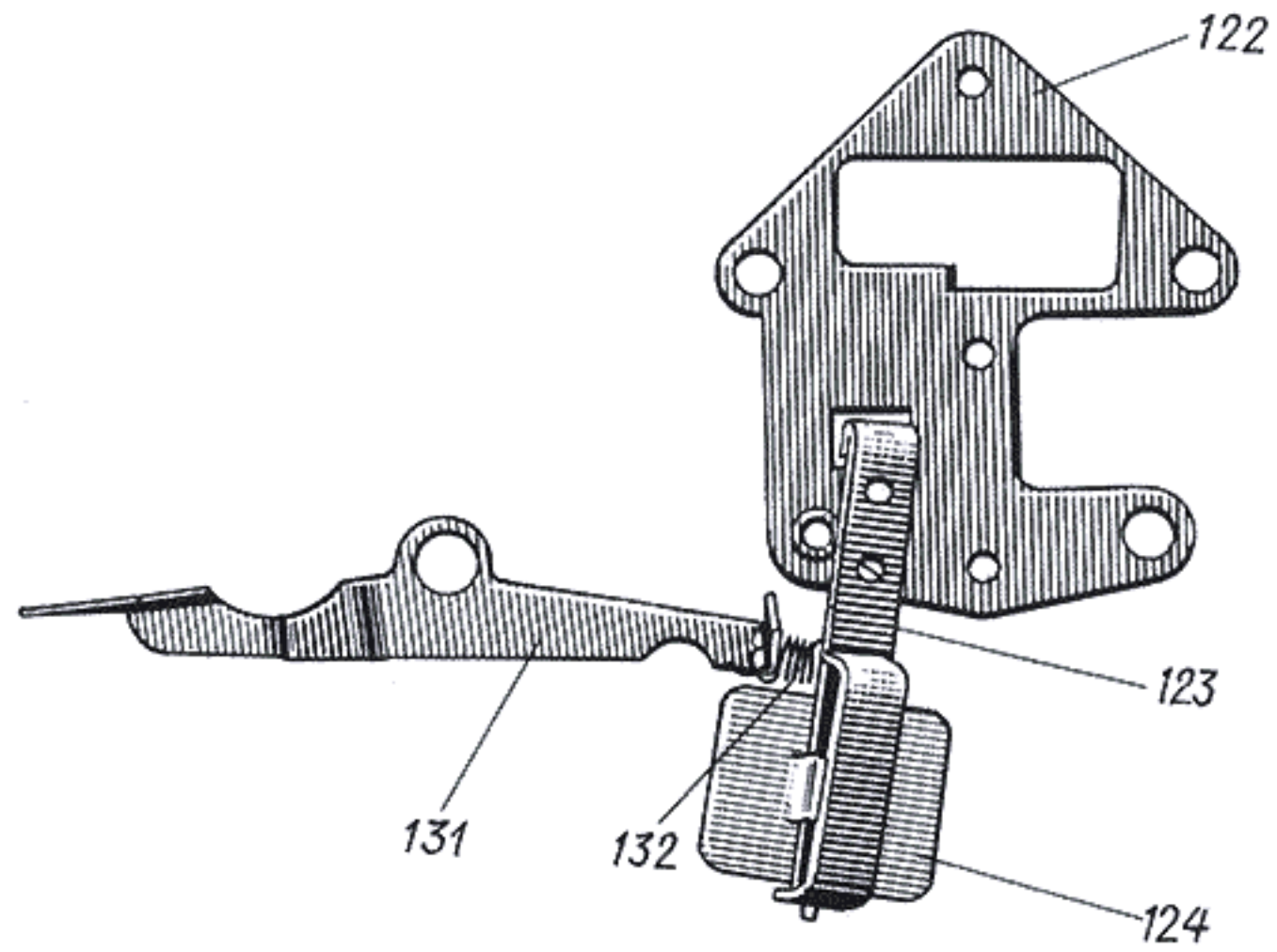
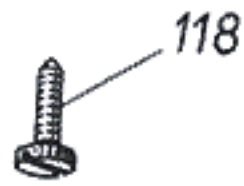
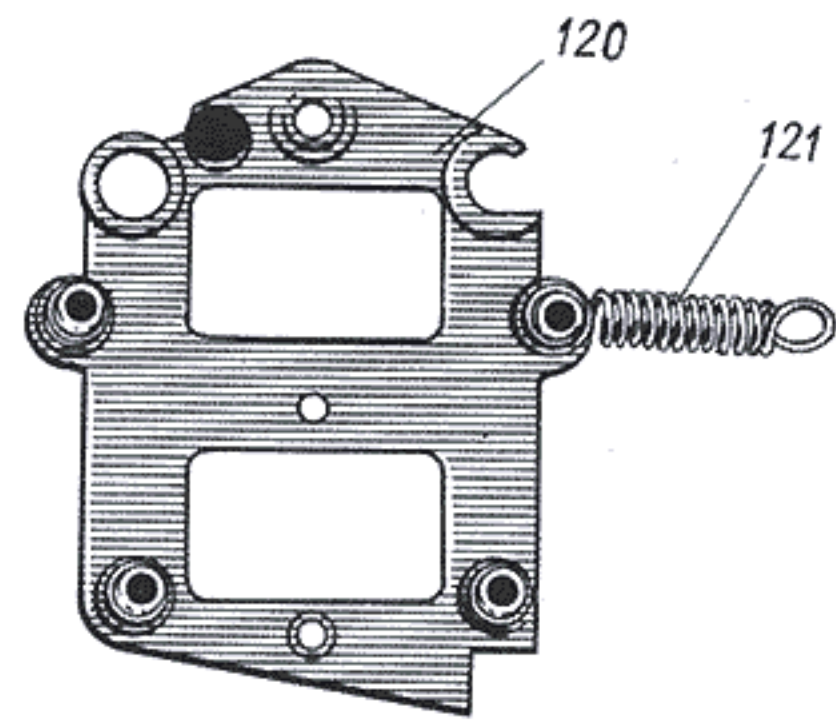
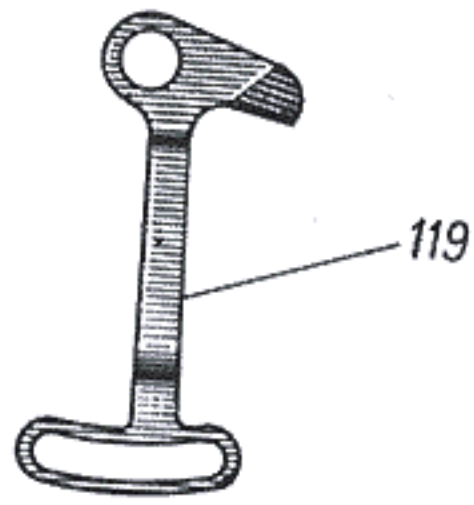
Копныс
 Housing
 Boitier
 Gehäuse
 Cuerpo

5.822.123



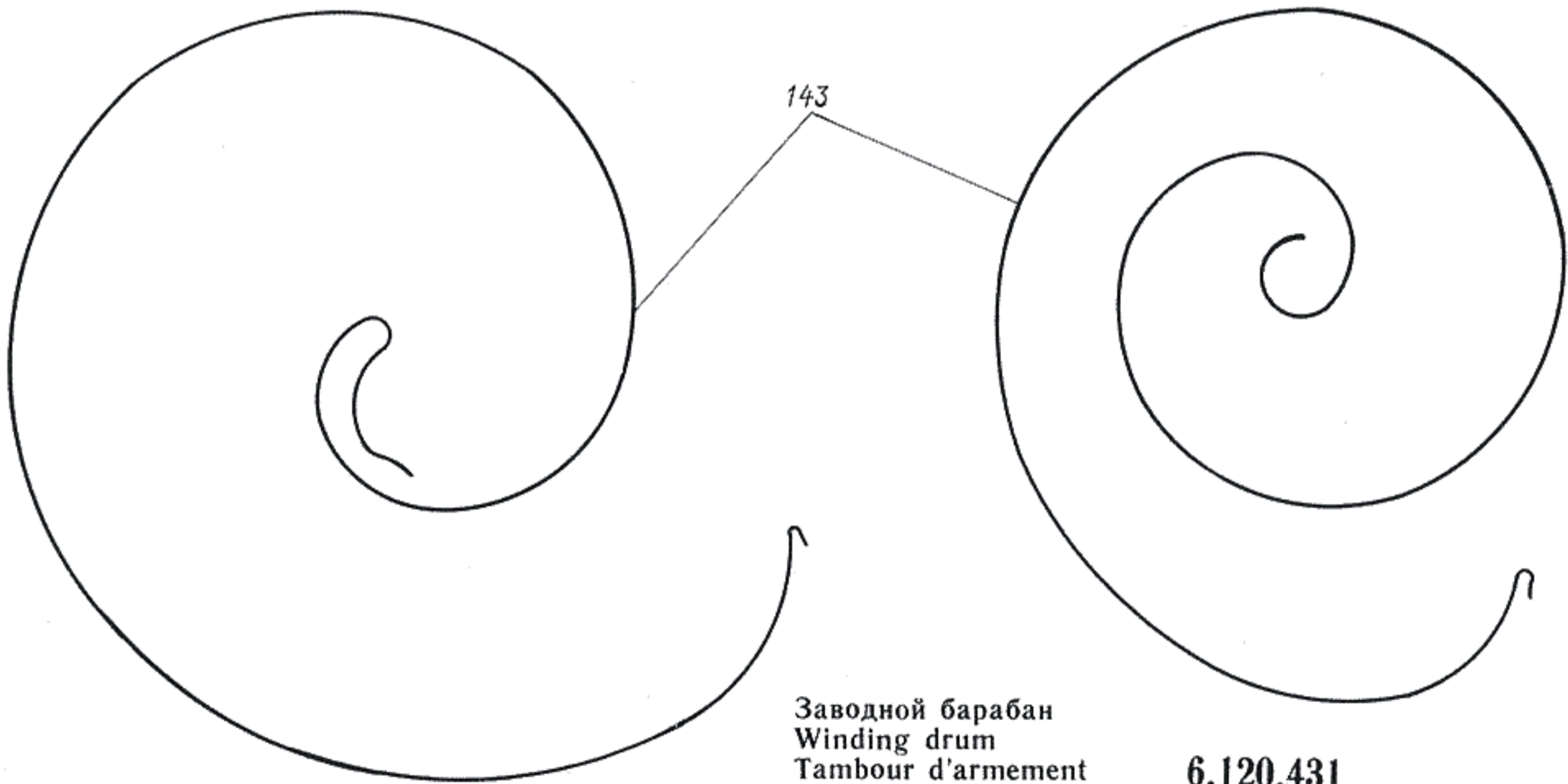
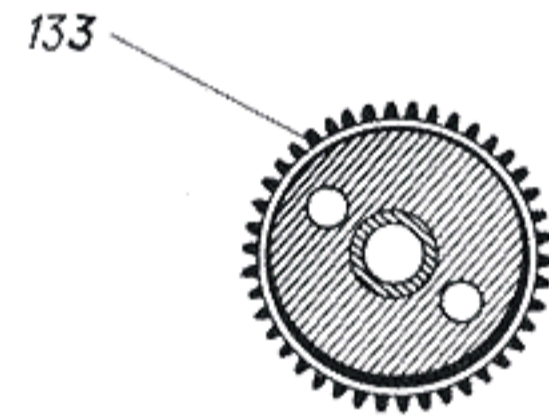
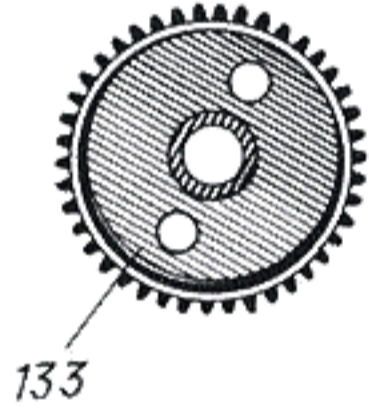
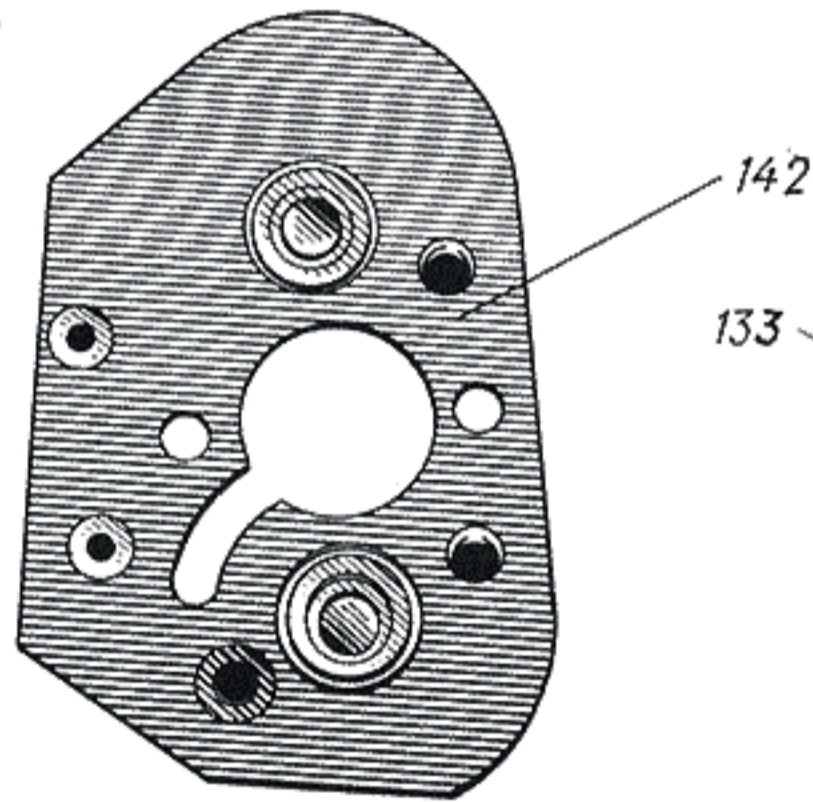
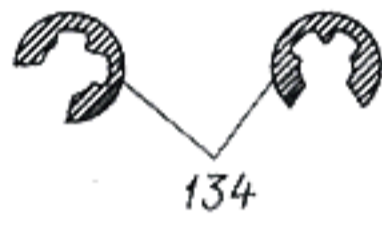
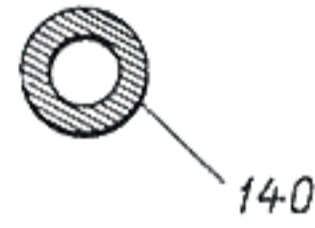
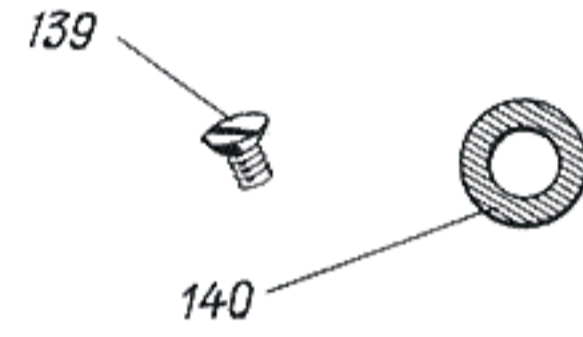
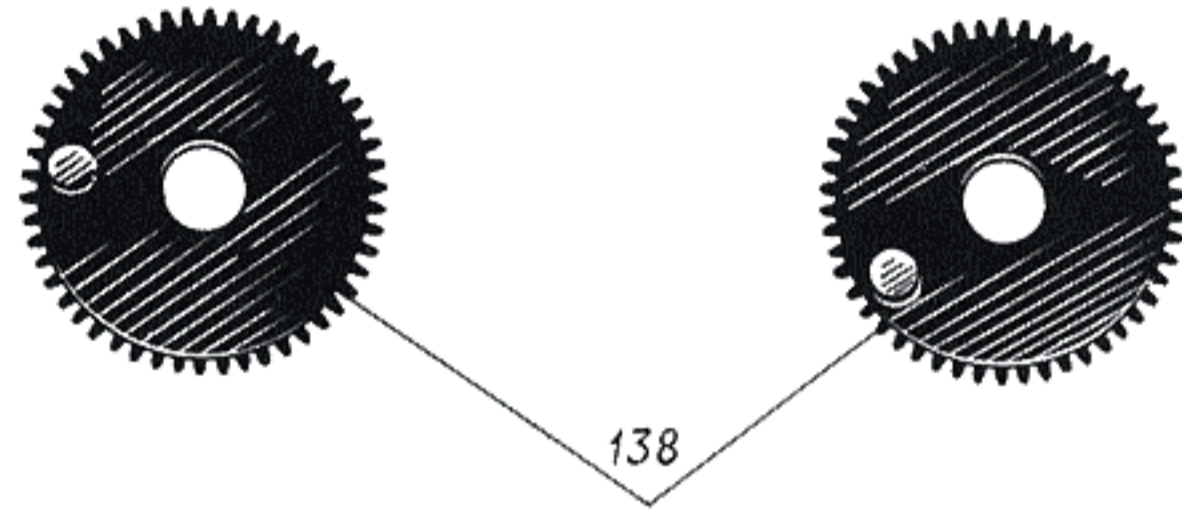
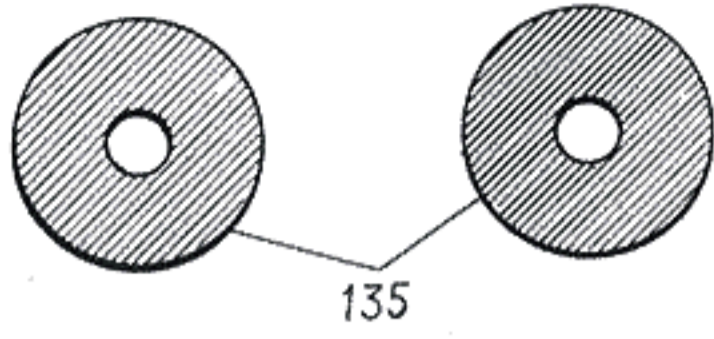
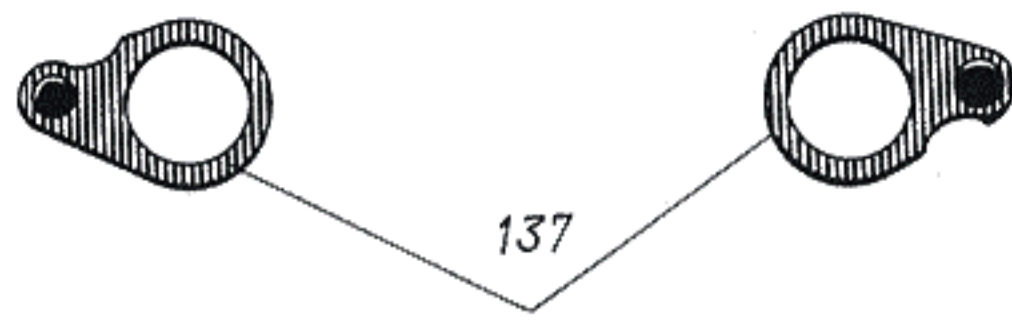
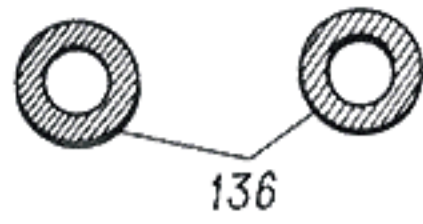
Механизм выдержек
 Exposure mechanism
 Mécanisme de temps de pose
 Belichtungszeitenwerk
 Mecanismo de exposiciones

5.822.004



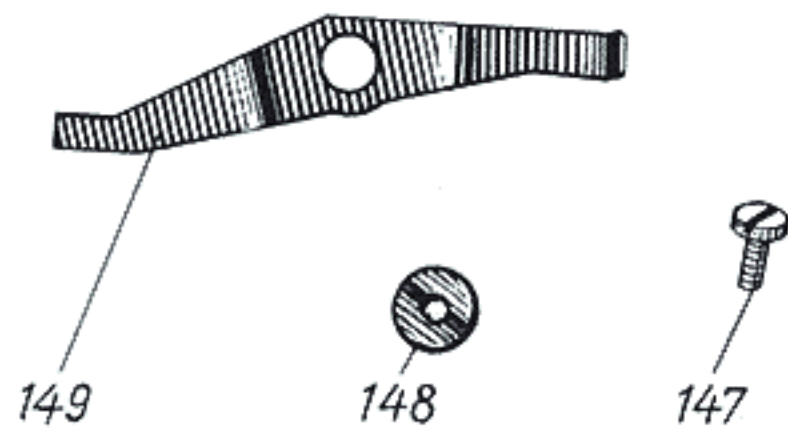
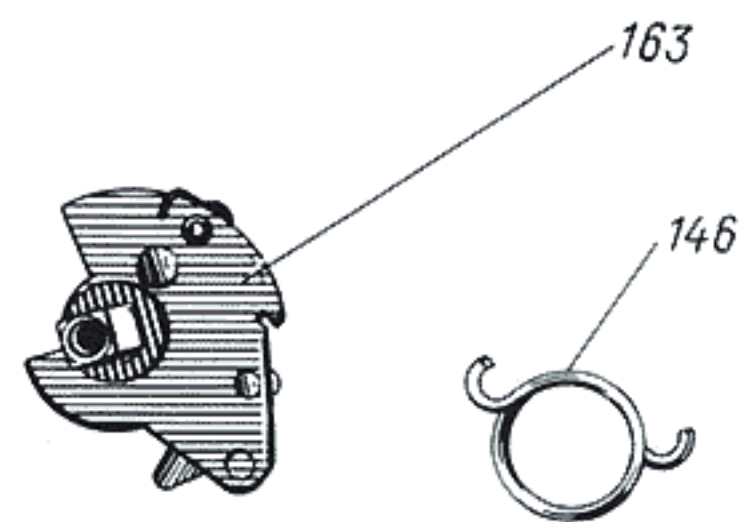
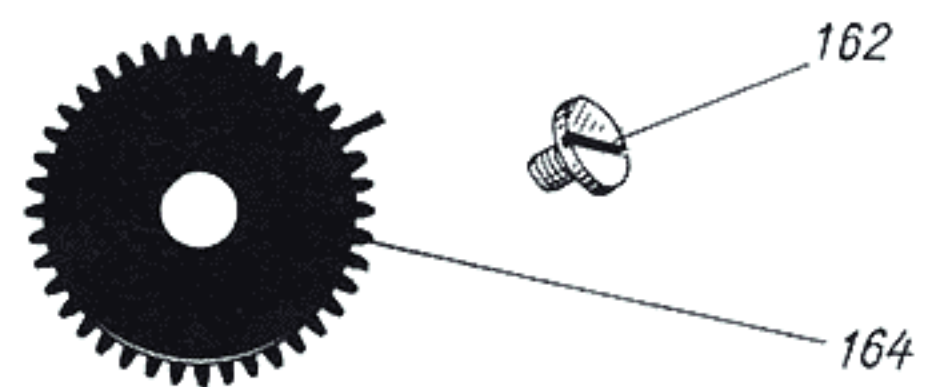
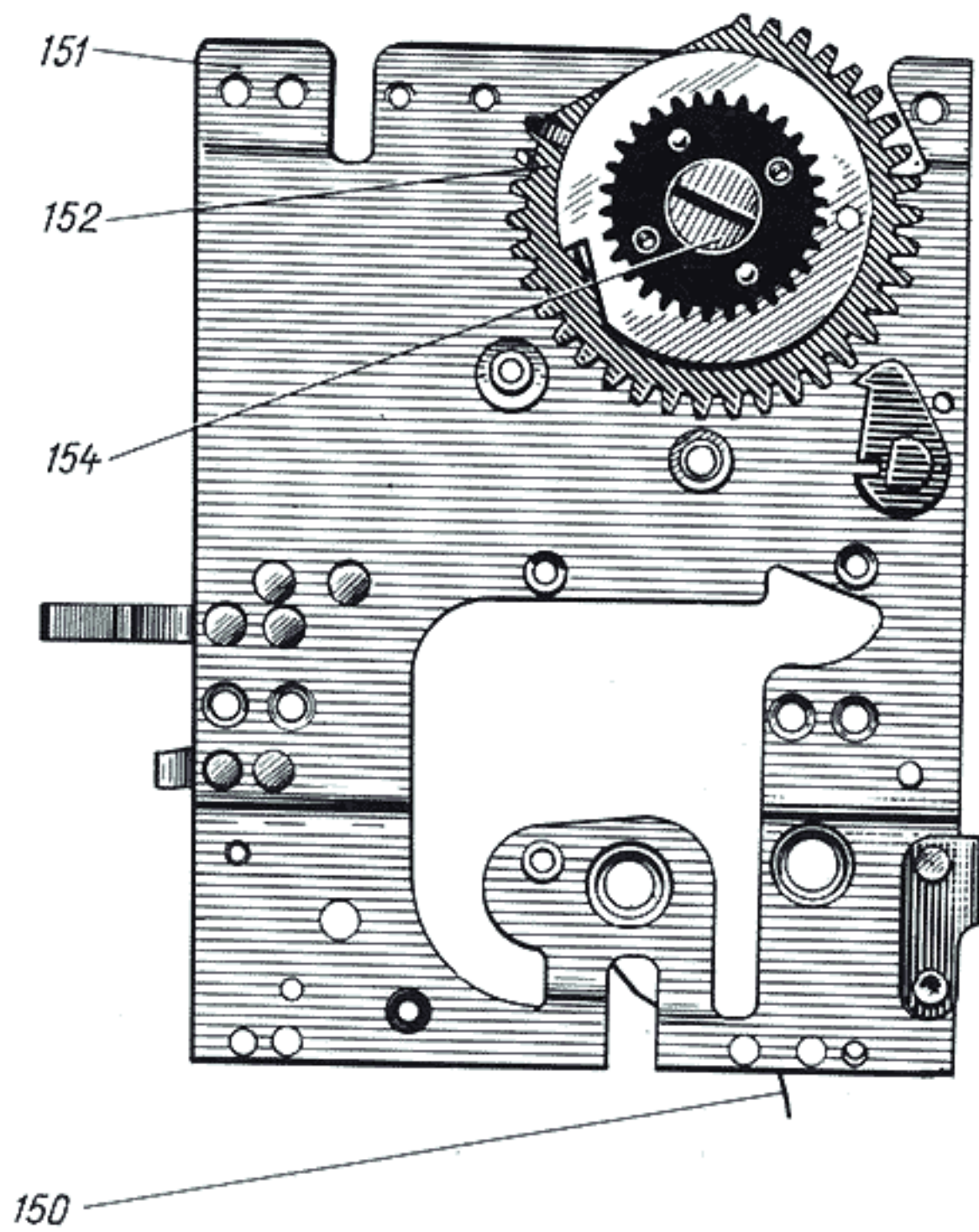
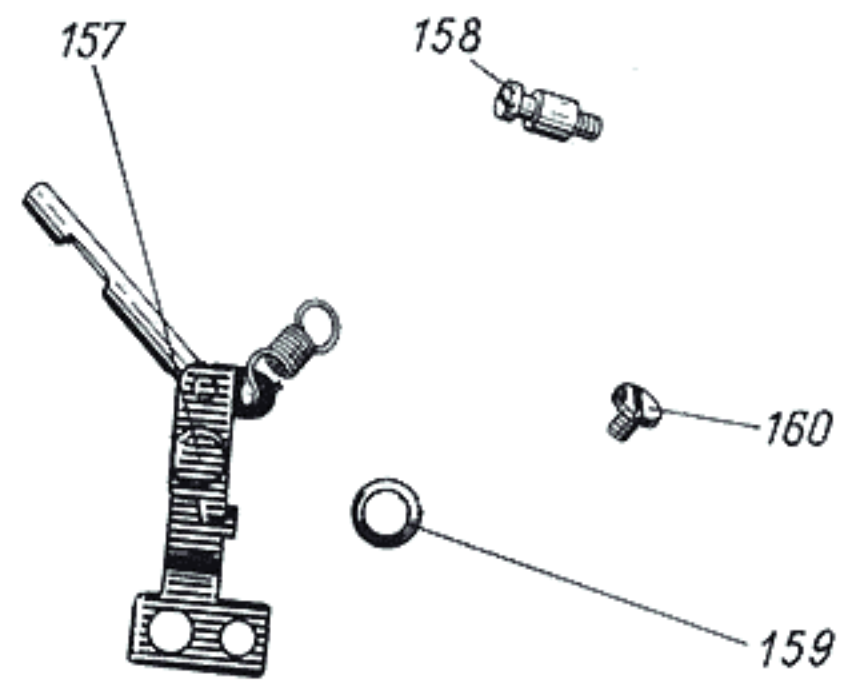
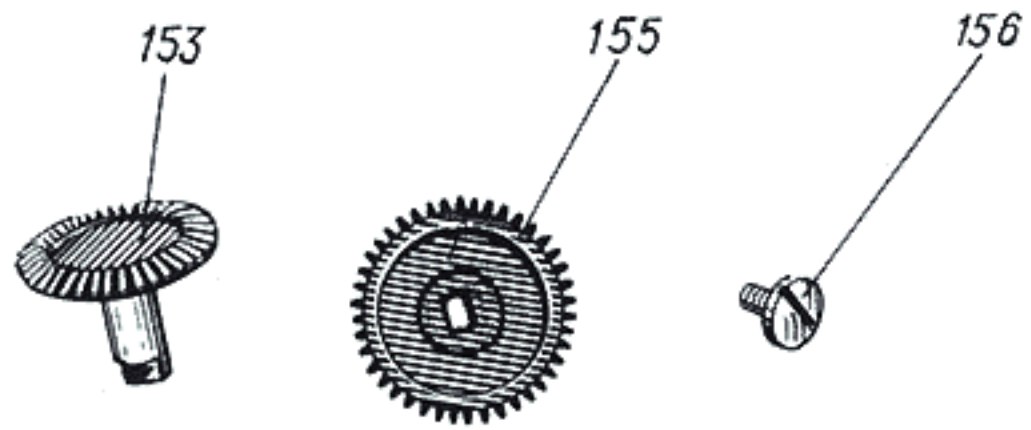
Механизм торможения
 Braking mechanism
 Mécanisme de freinage
 Hemmwerk
 Mecanismo de frenado

6.280.002



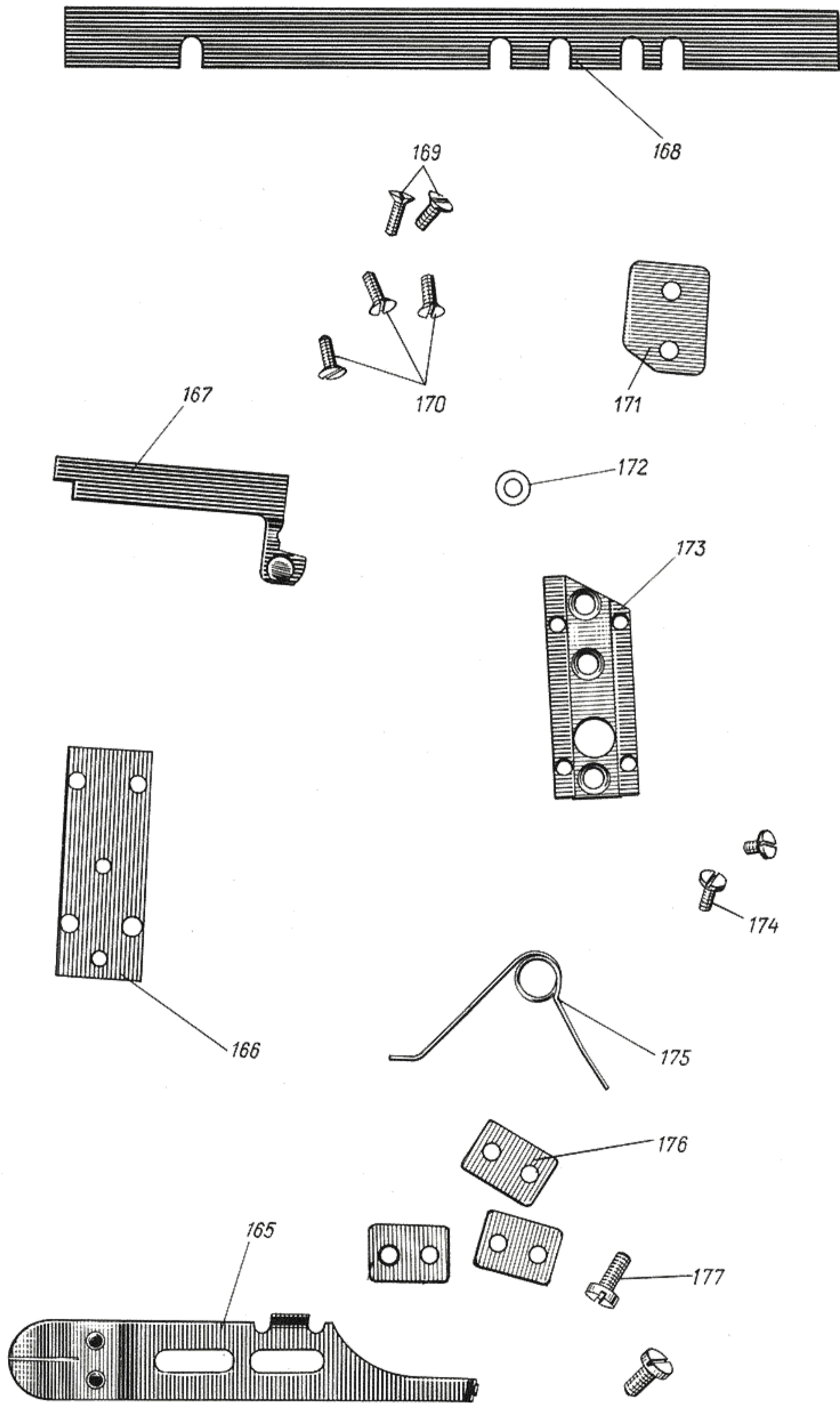
Заводной барабан
Winding drum
Tambour d'armement
Aufzugstrommel
Tambor de preparación

6.120.431

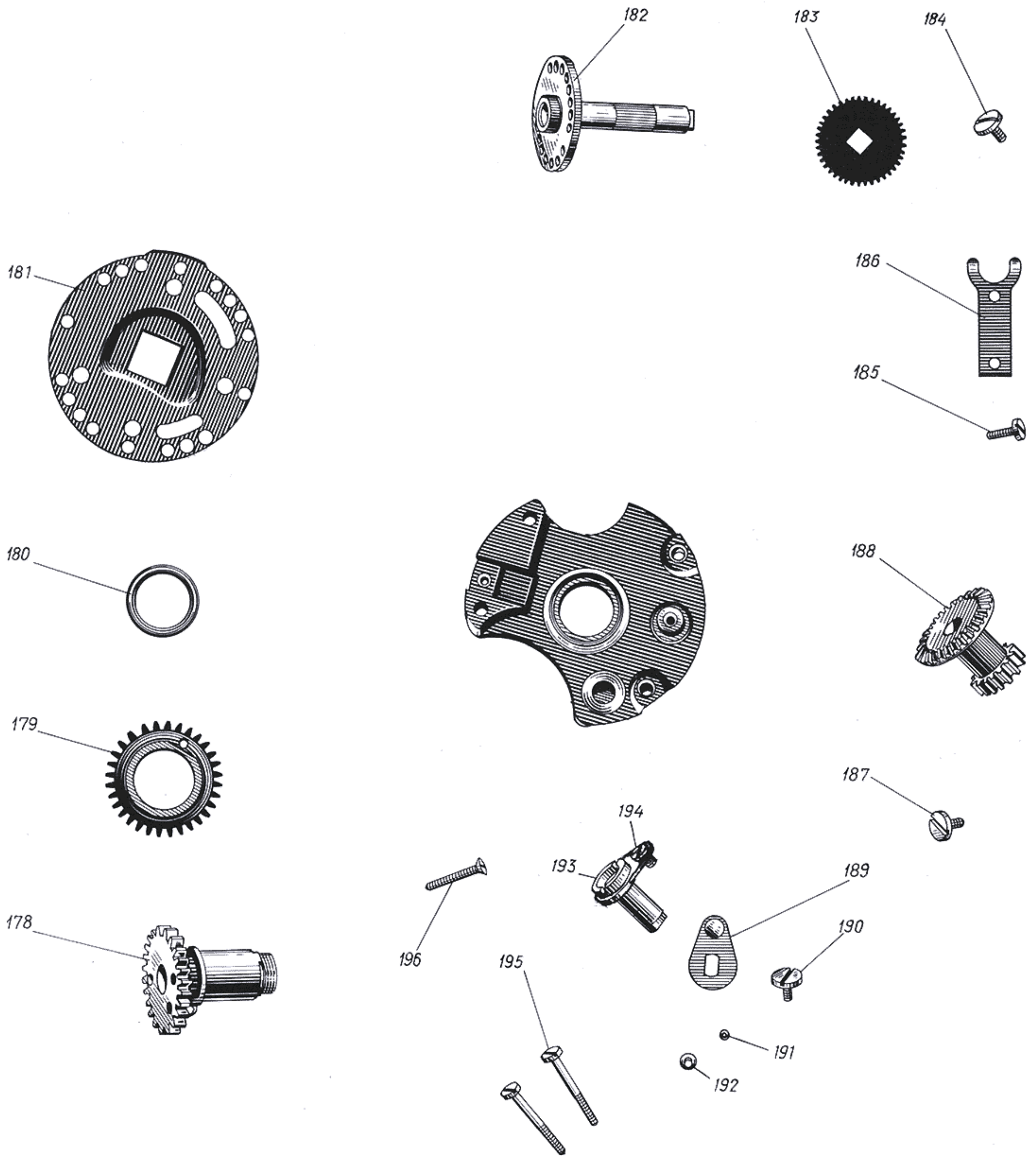


Плато
Plate
Plateau
Platte
Plato

6.063.000

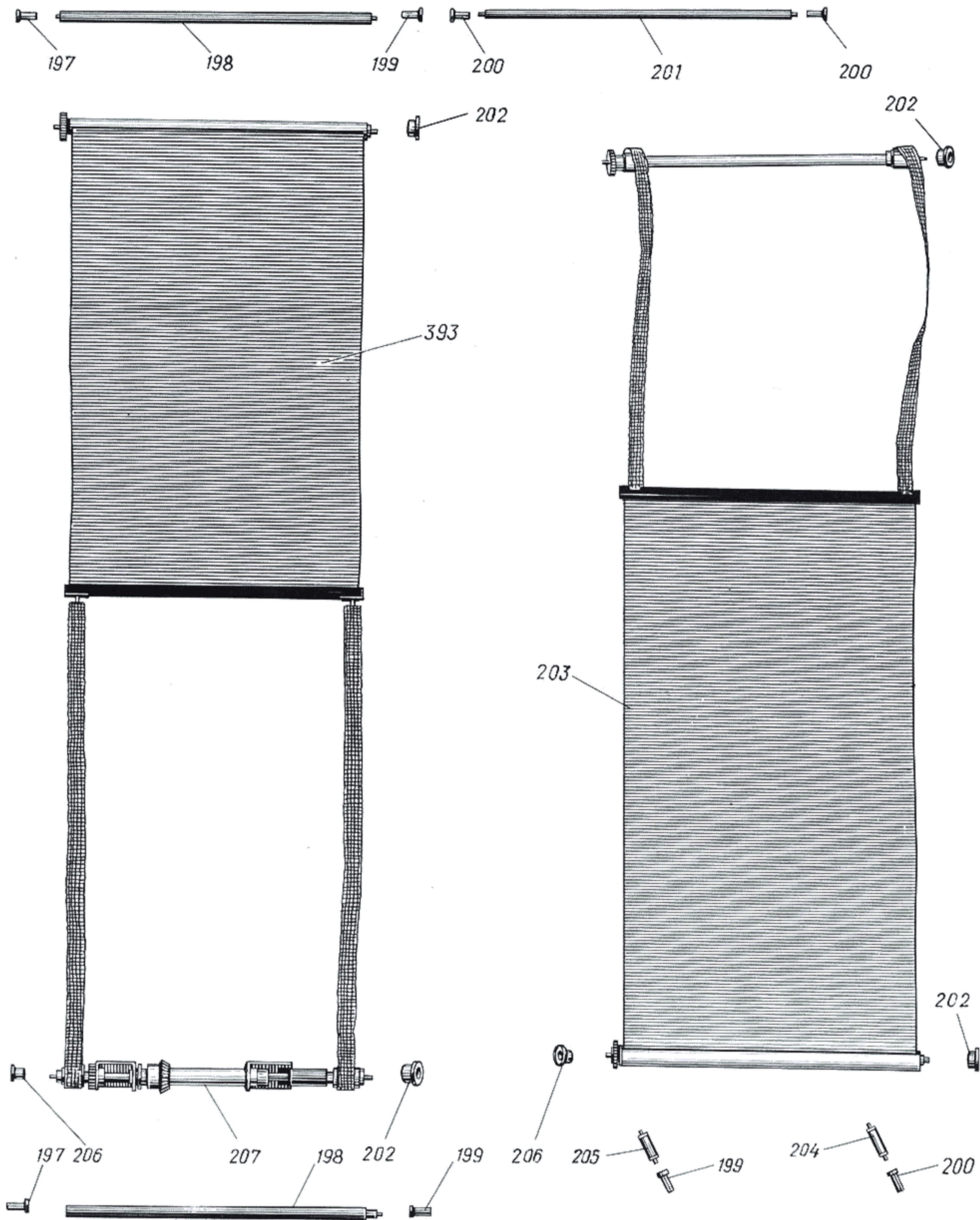


Указатель
 Index
 Index
 Anzeiger
 Indicator



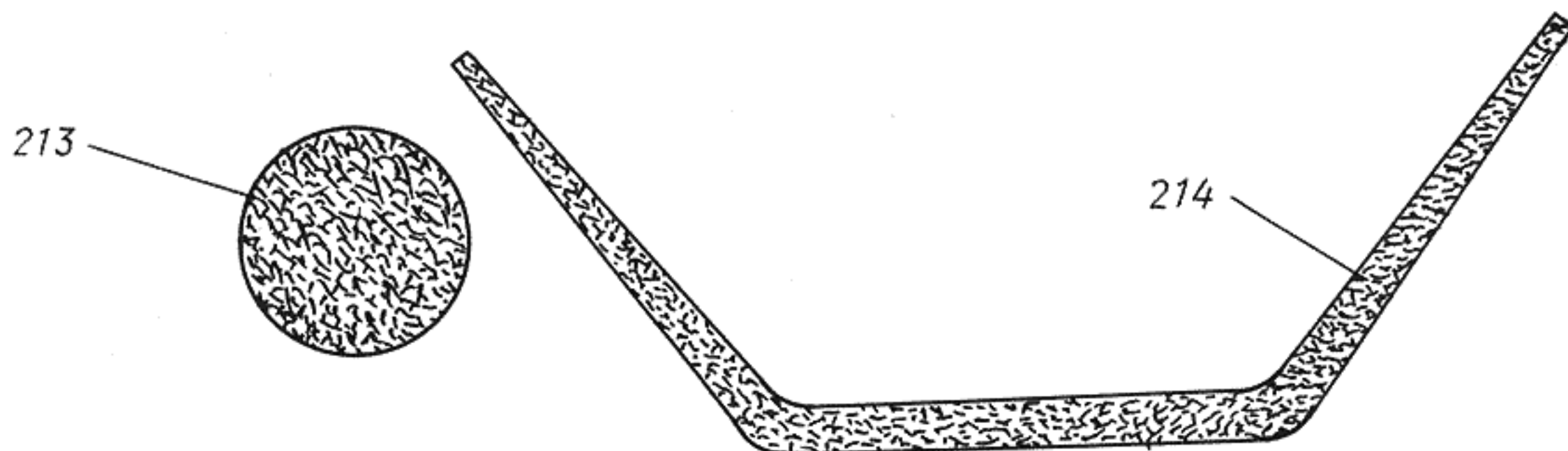
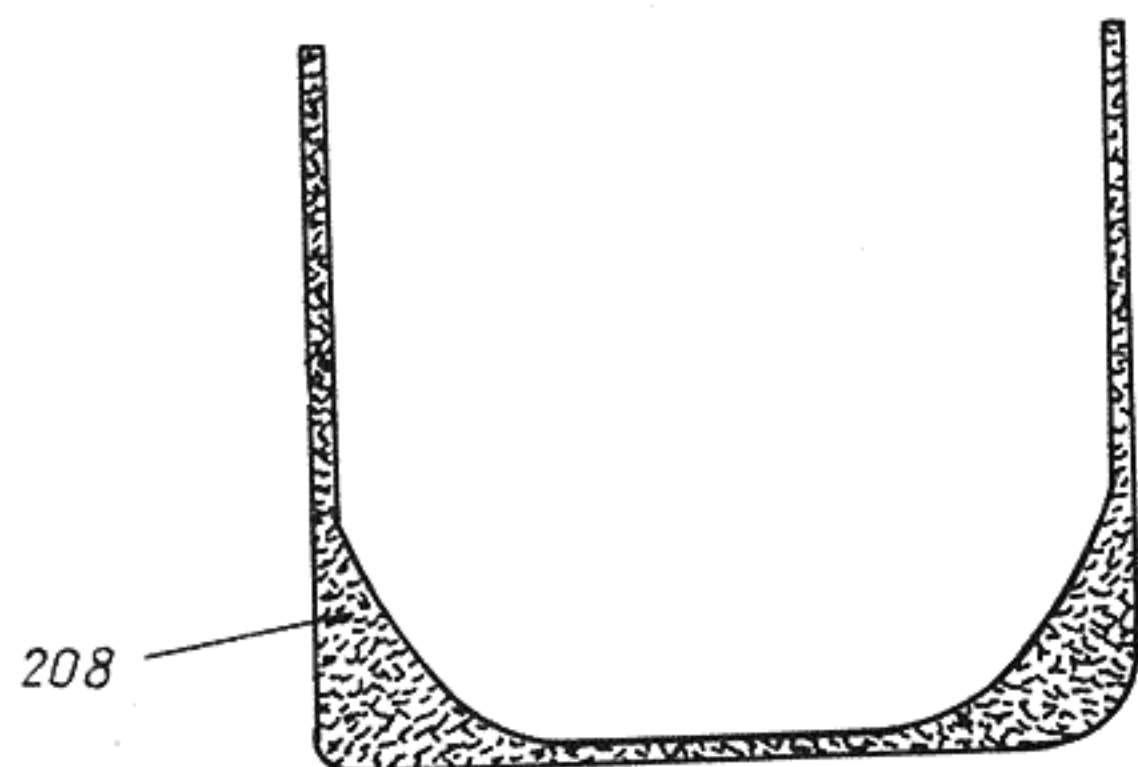
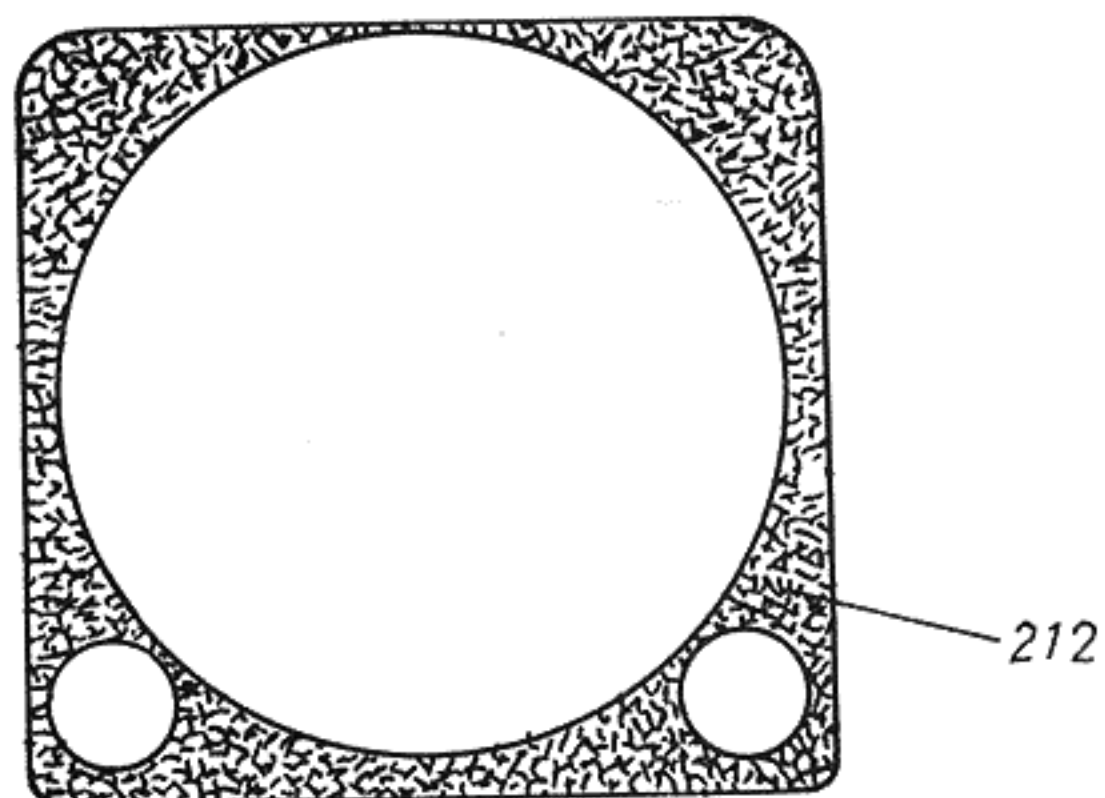
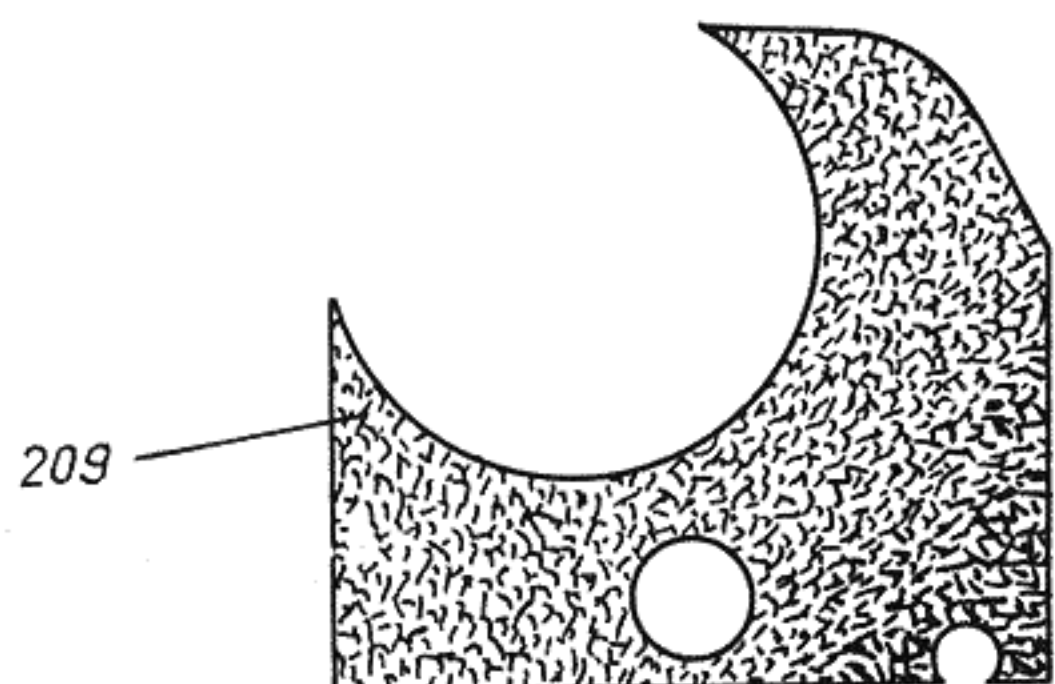
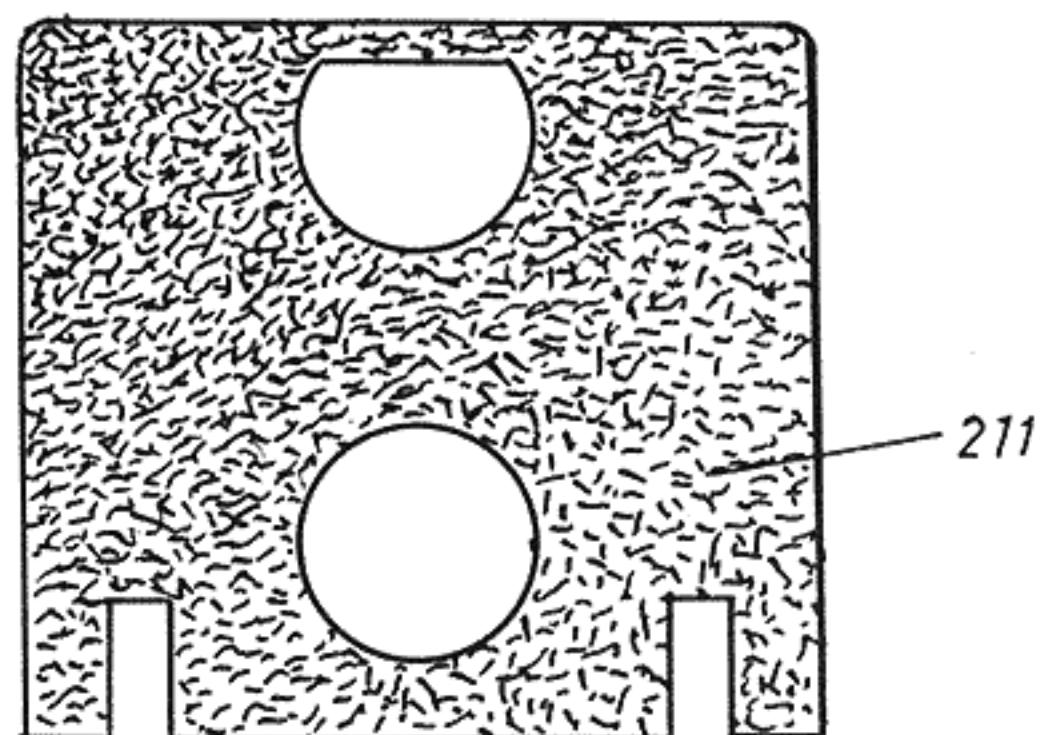
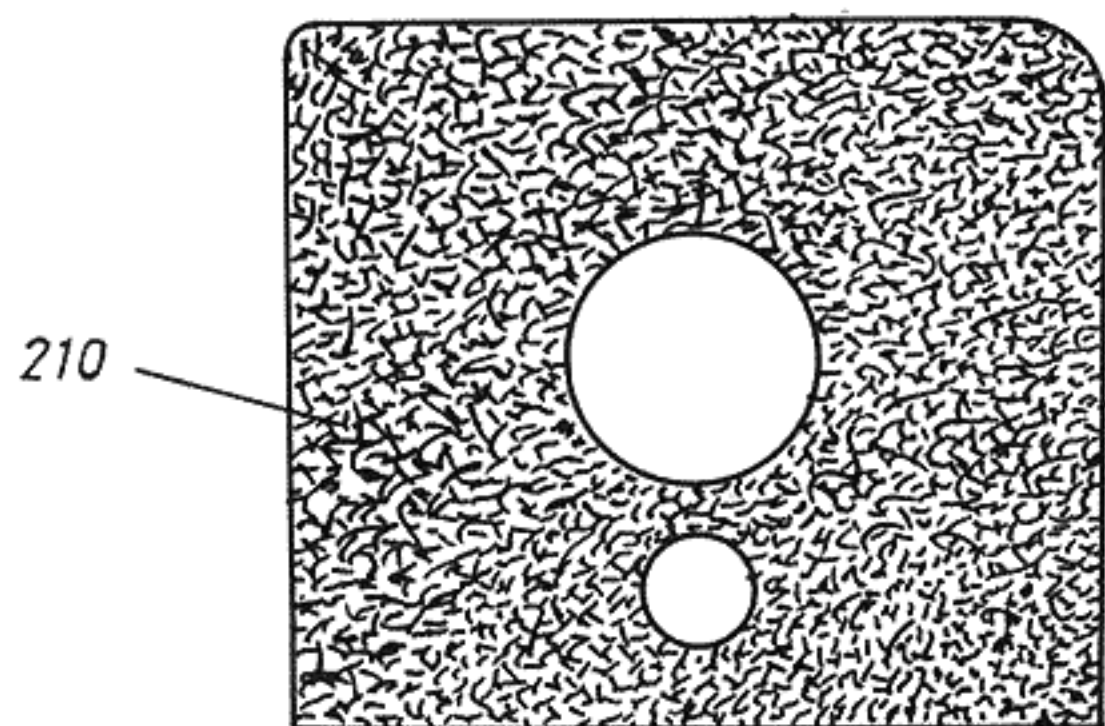
Заводная головка
 Winding knob
 Bouton d'armement
 Aufzugsknopf
 Cabeza de preparación

6.395.011

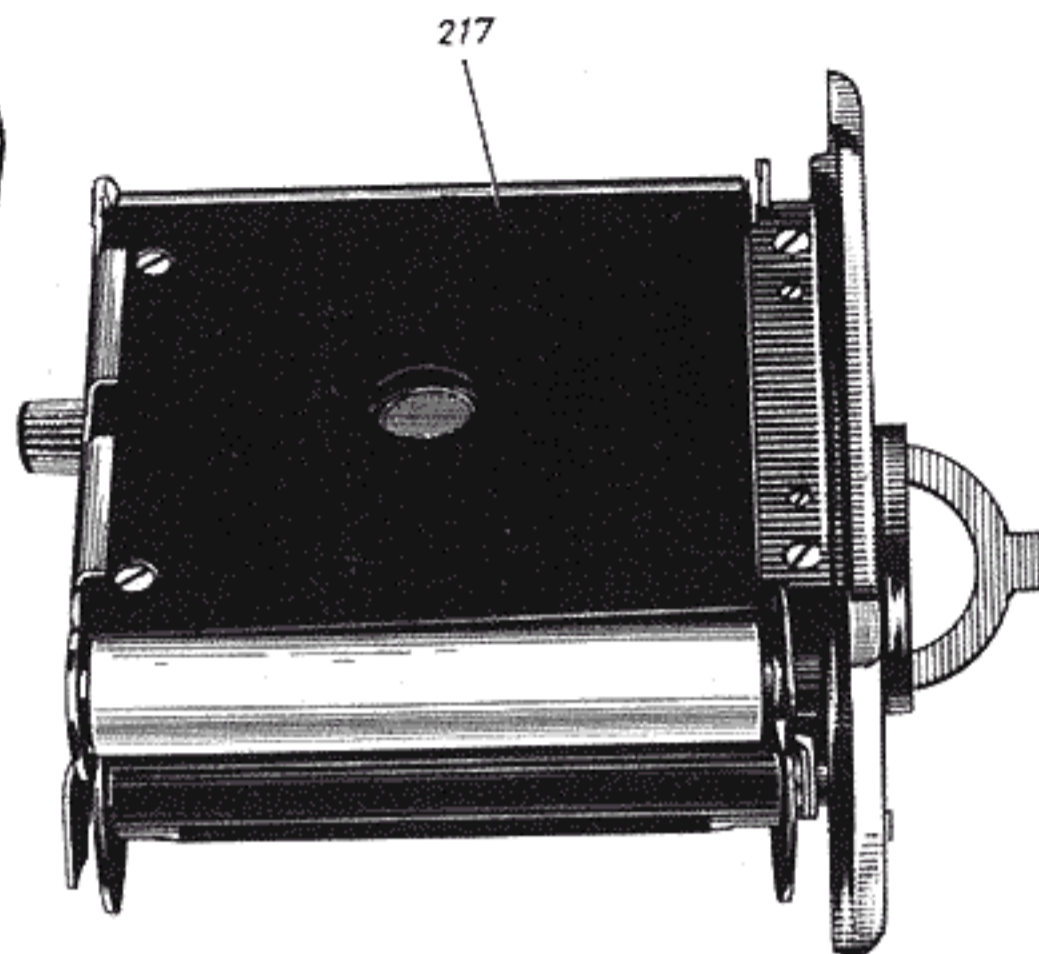
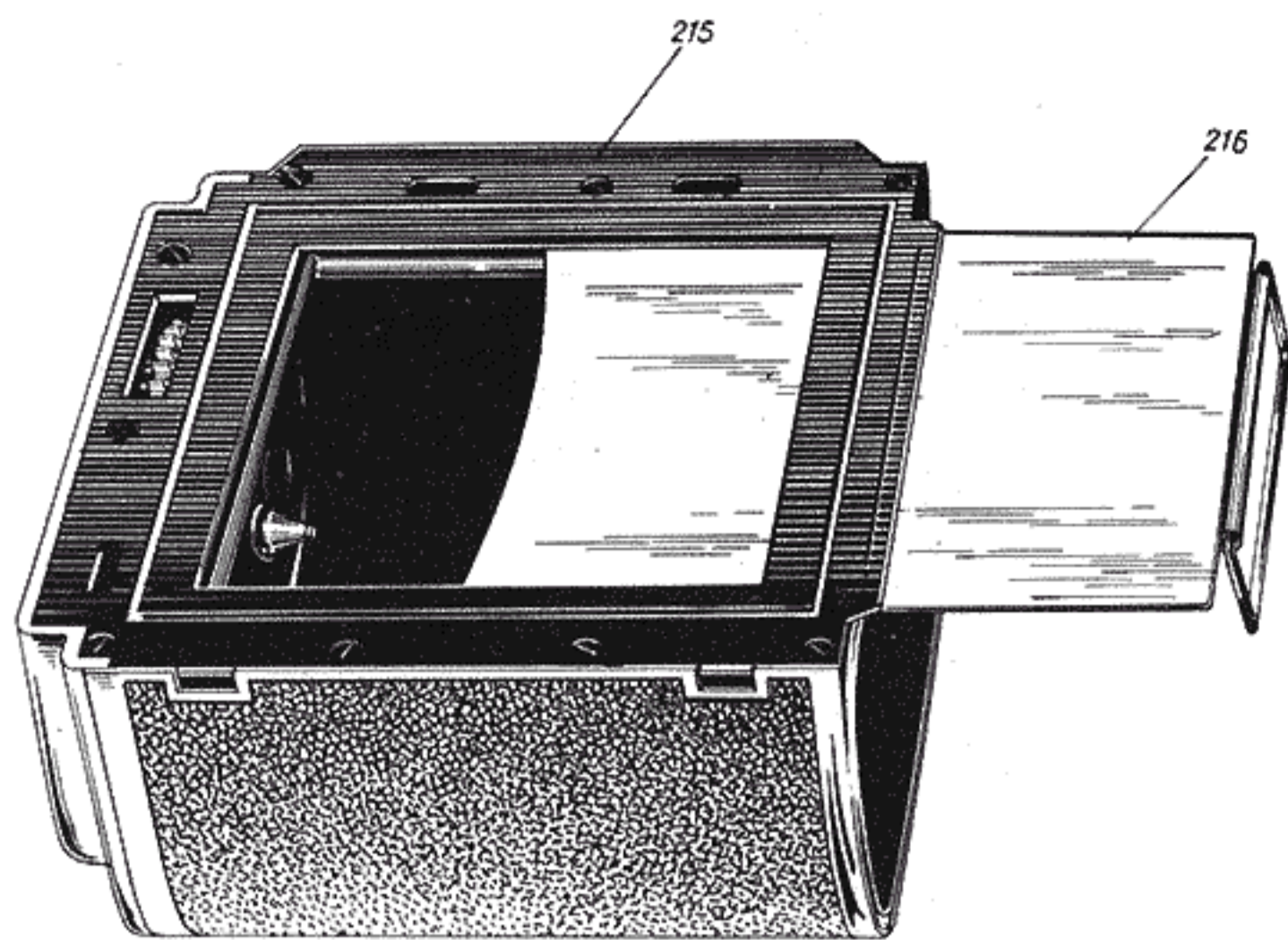


Шторки
 Curtain elements
 Rideaux
 Rollos
 Cortinillas

6.437.806; 6.437.807

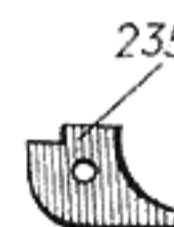
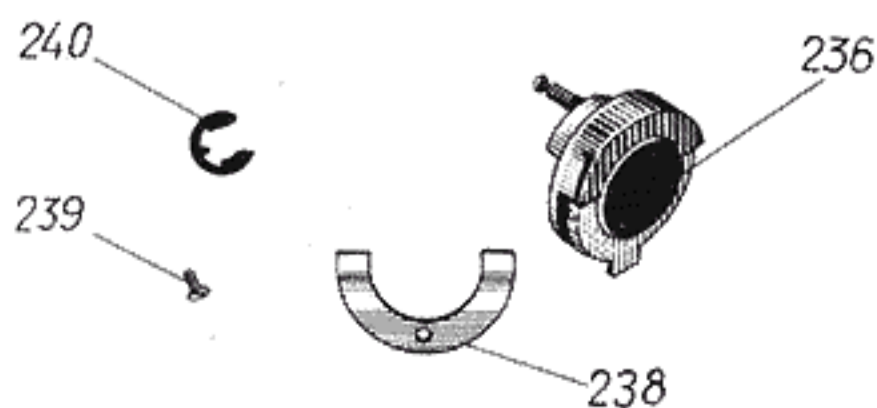
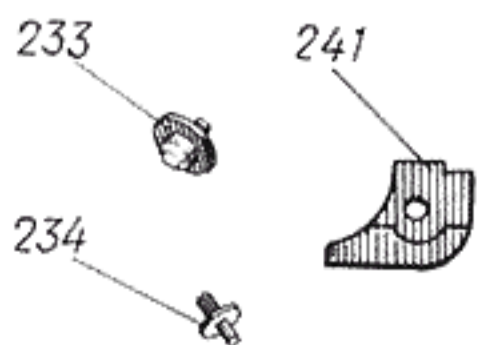
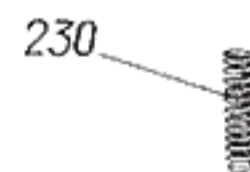
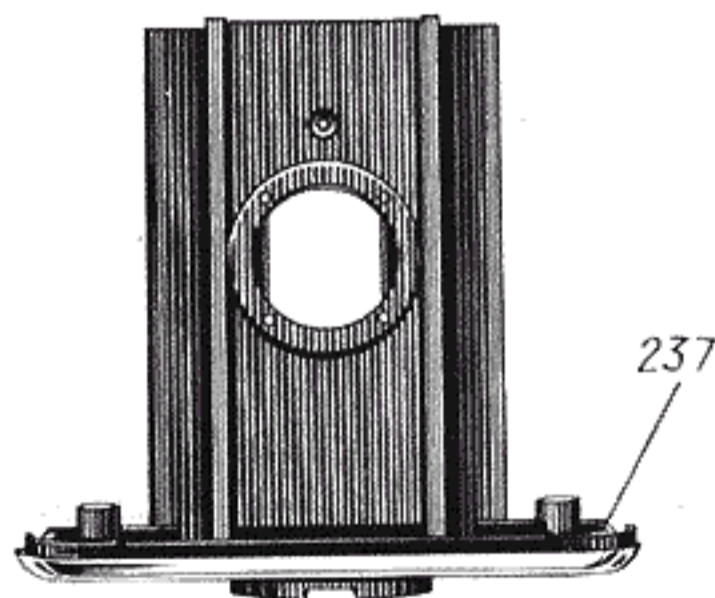
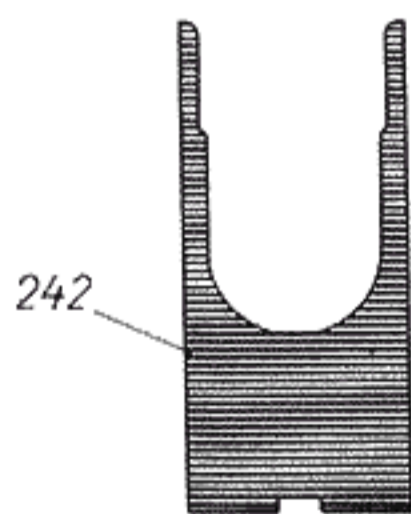
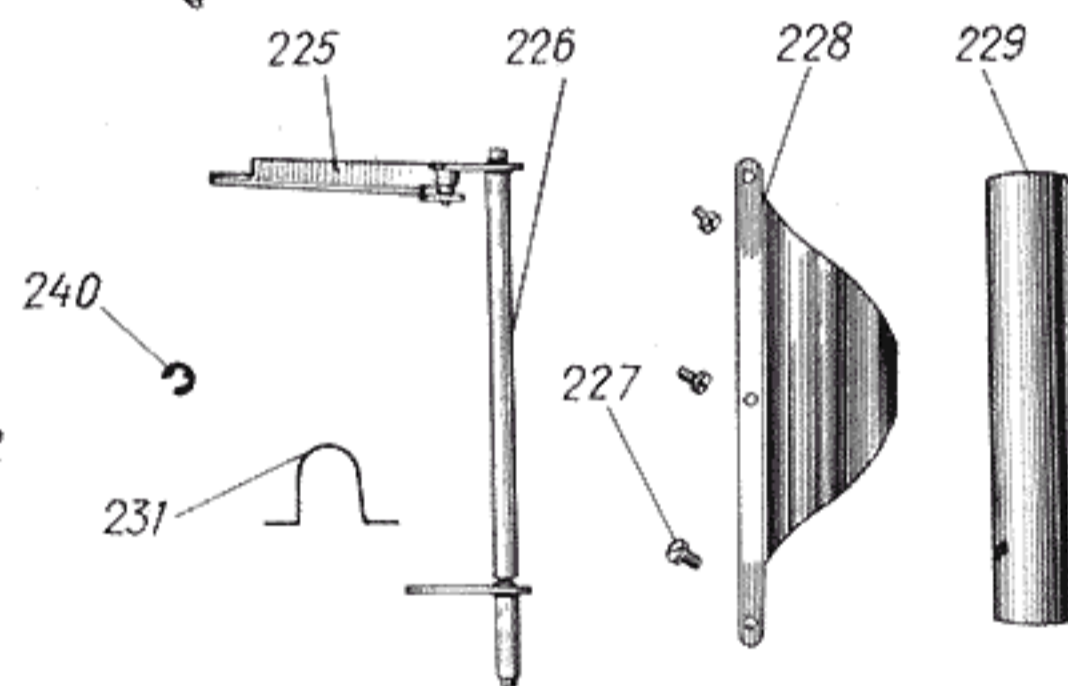
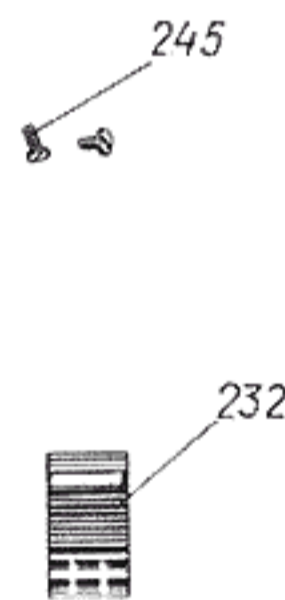
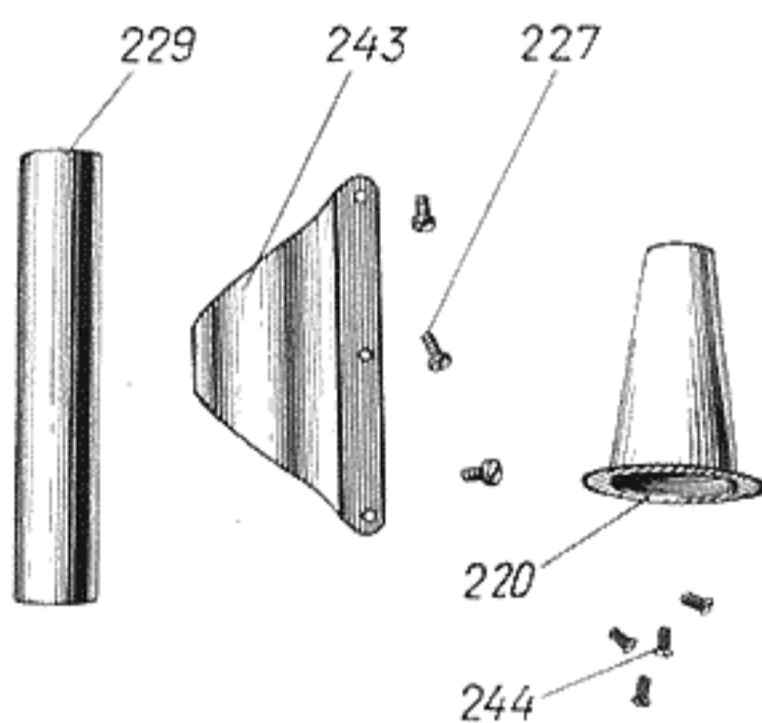
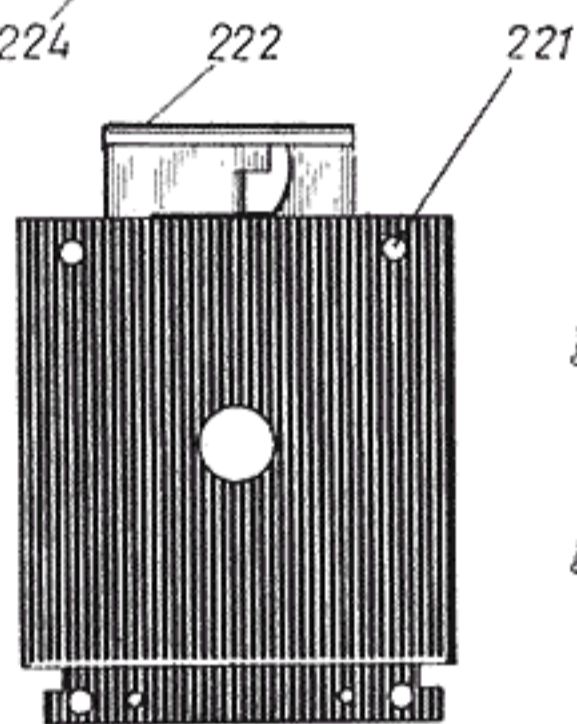
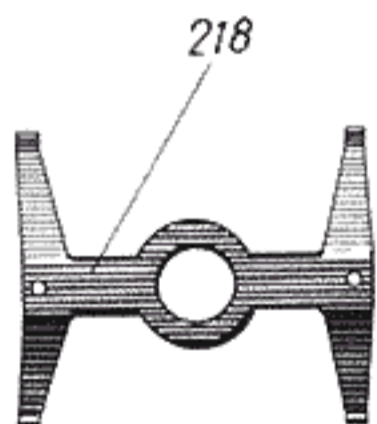
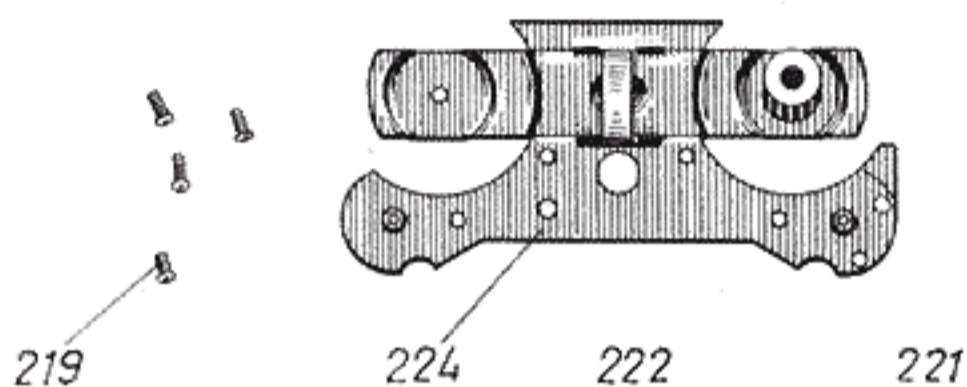


Обклейки камеры
Camera facing
Garnitures de la camera
Verkleidungsstücke der Kamera
Revestimiento de la cámara



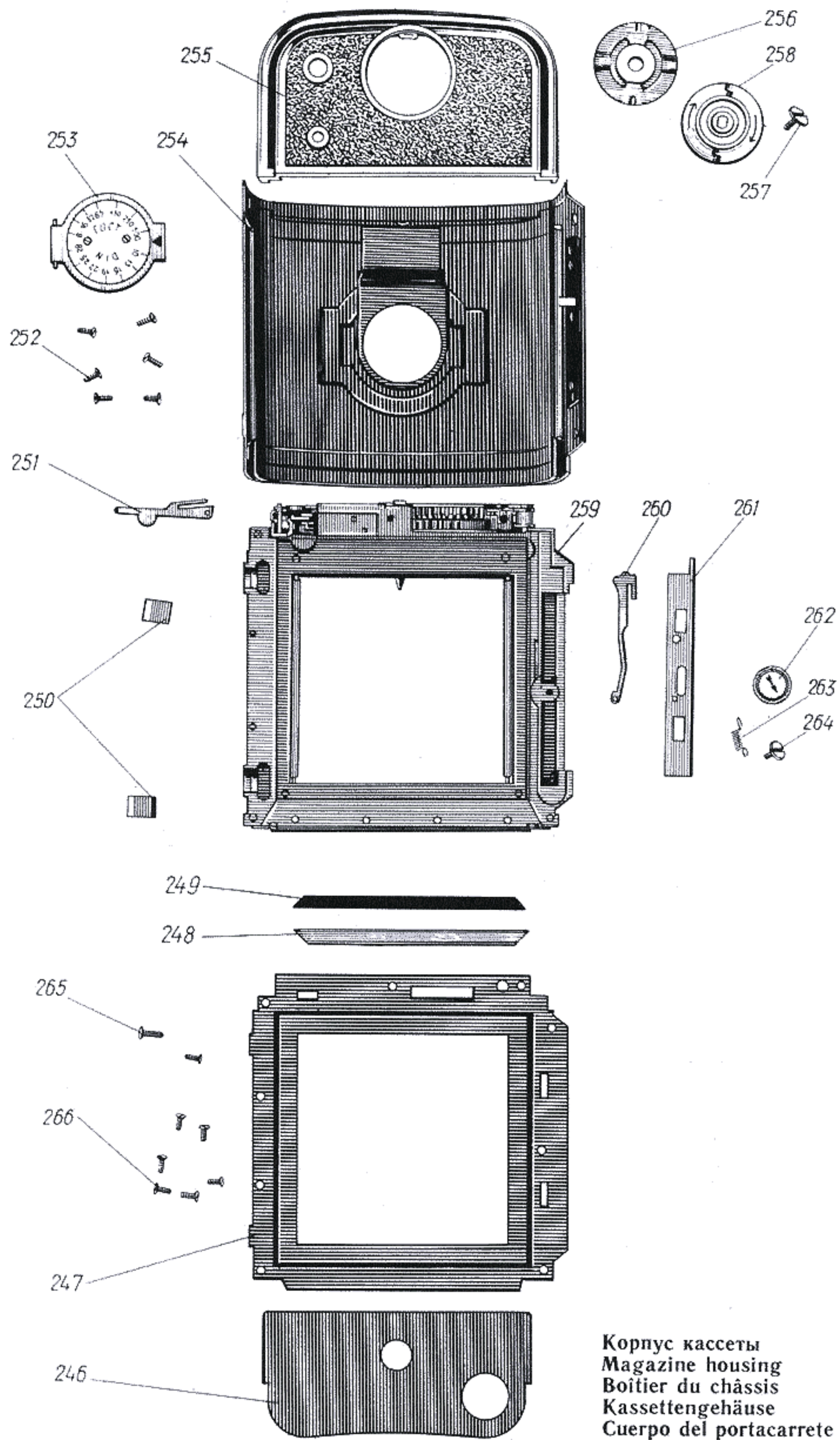
Кассета
Magazine
Chassis
Kassette
Portacarrete

3.930.012



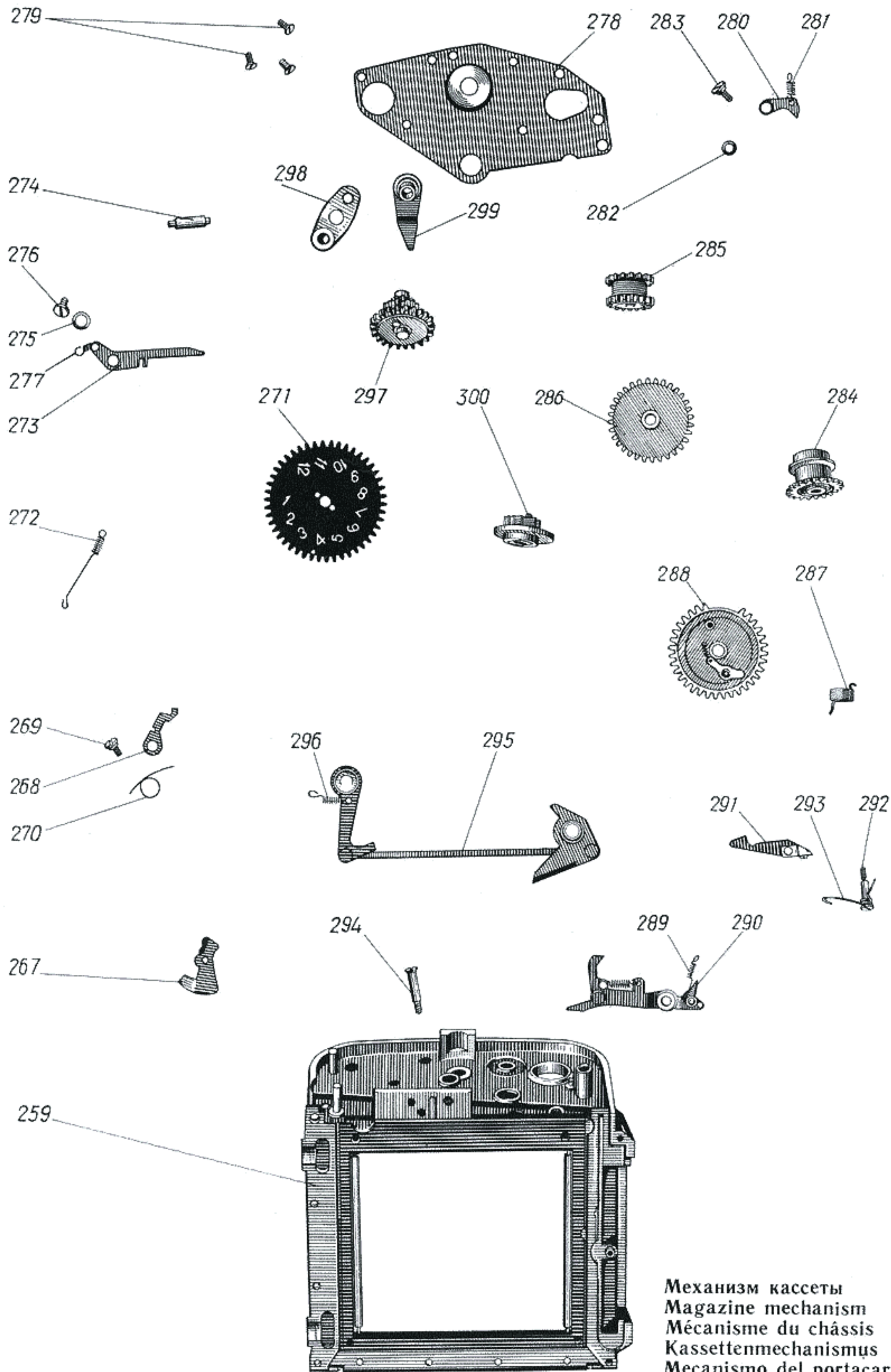
Транспортирующий механизм
Transport mechanism
Mécanisme d'entraînement
Filmtransportmechanismus
Mecanismo de transporte

6.066.000



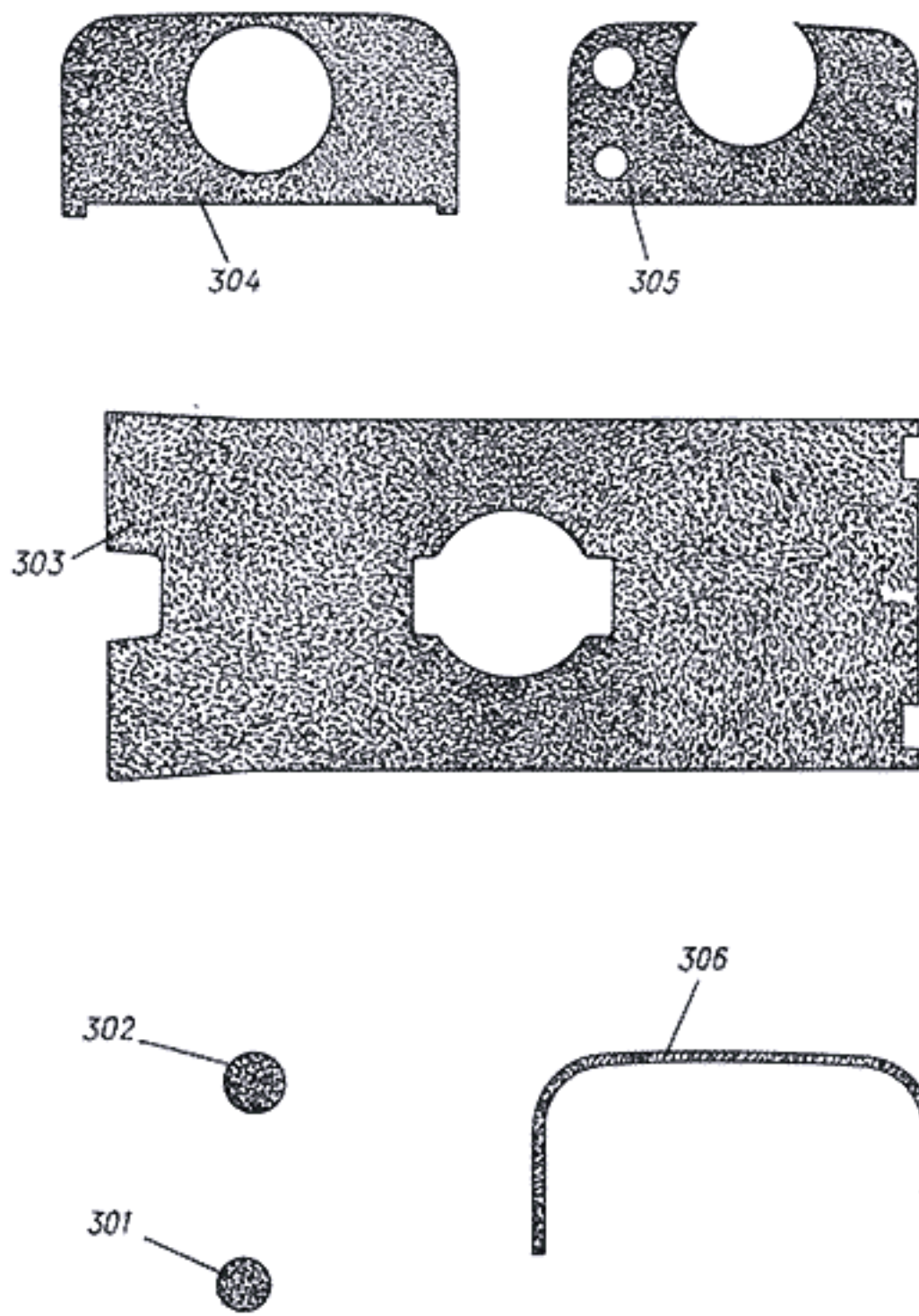
Корпус кассеты
 Magazine housing
 Boitier du châssis
 Kassettengehäuse
 Cuerpo del portacarrete

6.115.673



Механизм кассеты
 Magazine mechanism
 Mécanisme du châssis
 Kassettenmechanismus
 Mecanismo del portacarrete

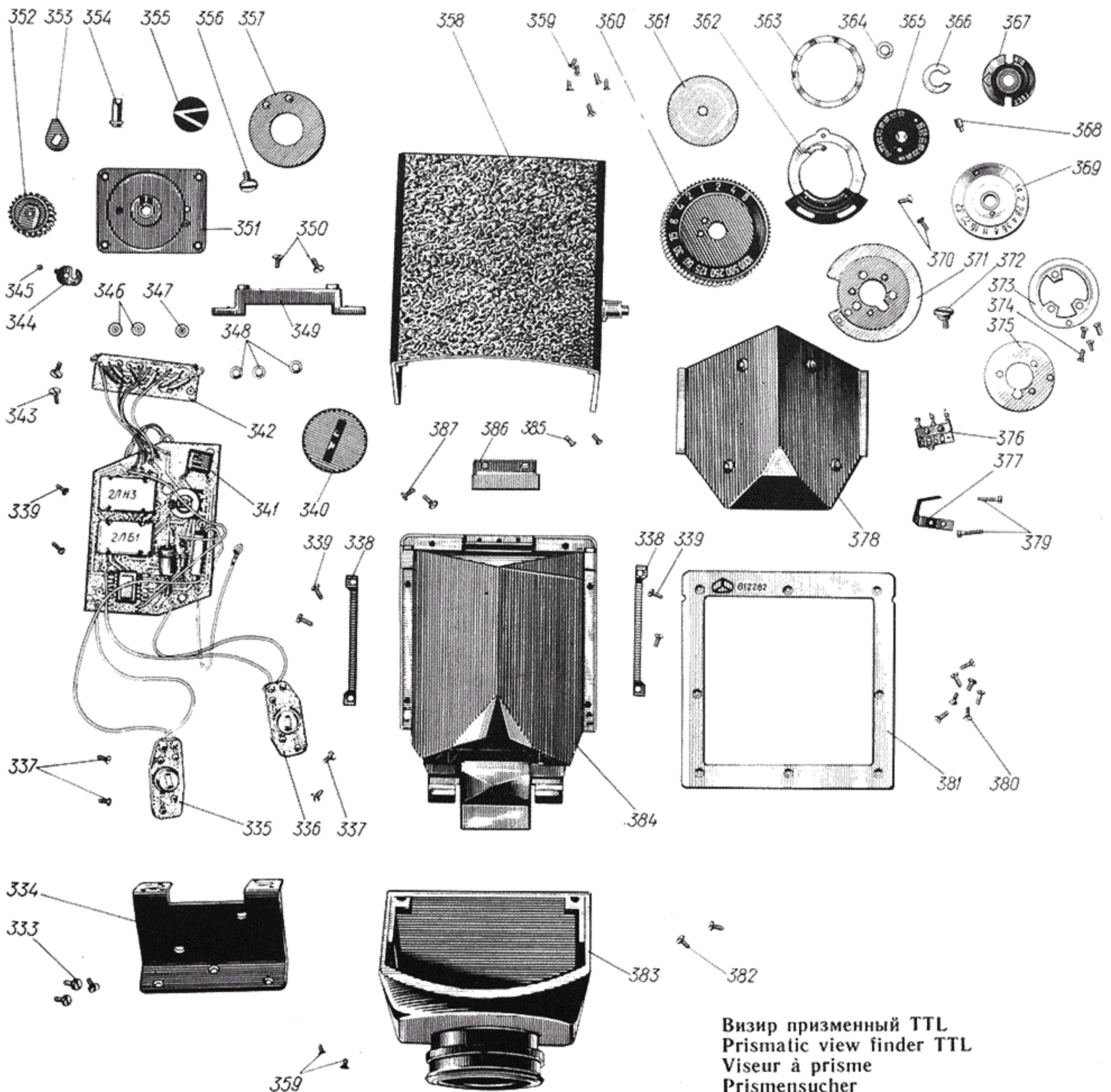
5.960.001



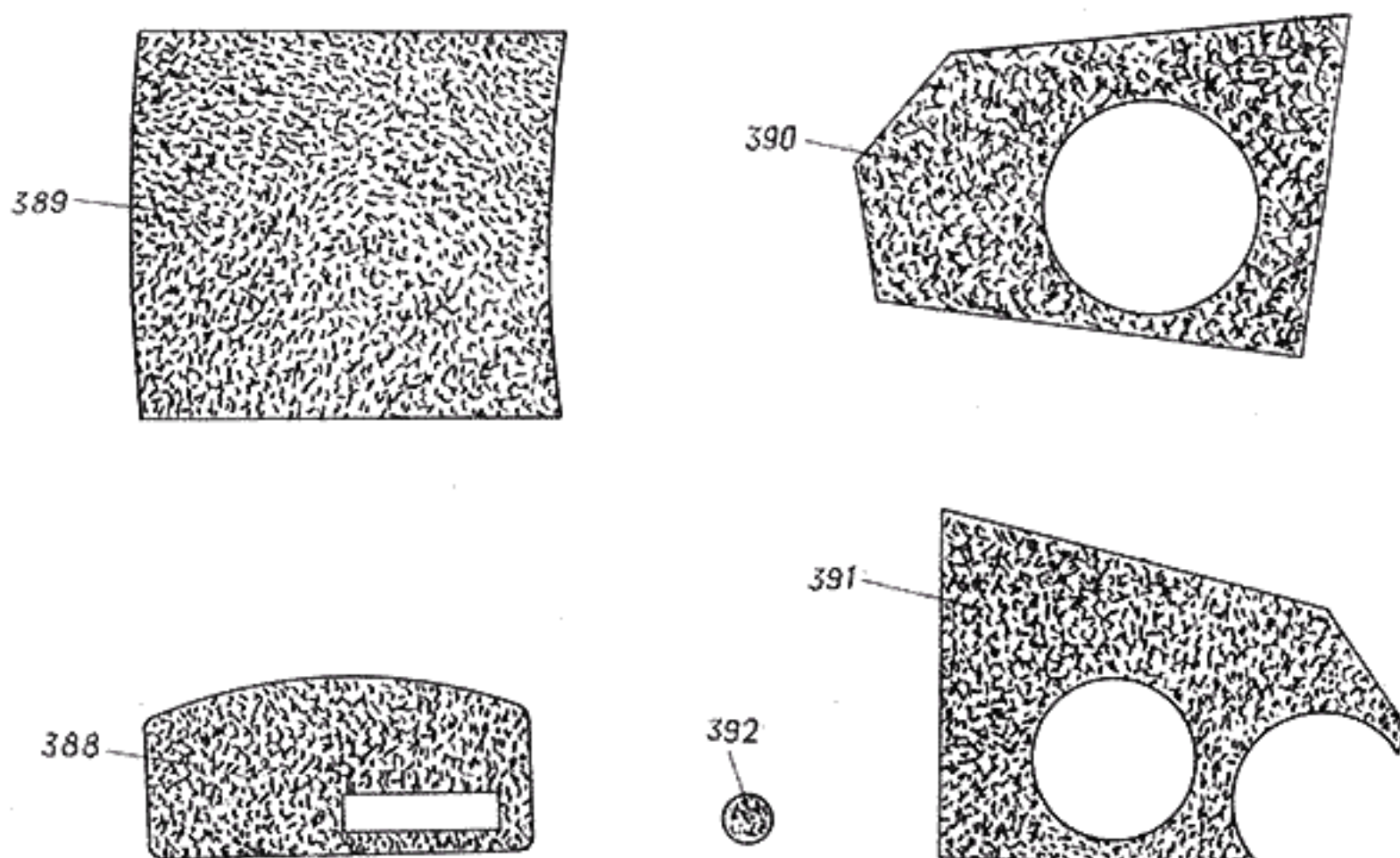
Обклейки кассеты
Magazine facing
Garnitures du châssis
Kassettenverkleidungsstücke
Revestimiento del portacarrete



Объектив «Волна-3В»
Lens "Volna-3B"
Objectif
Objectiv
Objetivo



Визир призмный TTL
 Prismatic view finder TTL
 Viseur à prisme
 Prismensucher
 Visor prismático



Обклейки визира призмного
 Prismatic view finder facing
 Garniture du viseur à prisme
 Verkleidungsstücke des Prismensuchers
 Revestimiento del visor prismático

Позиция Reference Repère Position No.de ref.	Обозначение Designation Désignation Bezeichnung Designación	Количество Quantity Quantité Stückzahl Cantidad
1	6.179.250	1
2	8.057.105	1
3	3.930.012	2
4	3.822.053	1
5	3.932.014	1
6	6.834.131	1
7	5.940.135	1
8	5.840.136	1
9	ТС-250* (ГОСТ** 8189—78)	1
10	3.822.055	1
11	5.811.000	1
12	5.811.000	1
13	8.241.011	1
14	8.903.041	4
15	8.642.076	1
16	8.934.286	1
17	6.354.344	1
18	8.939.018	1
19	8.903.042	6
20	8.121.191	1
21	8.318.600	1
22	8.332.542	1
23	5.811.079	1
24	8.605.923	4
25	8.900.034	4
26	8.613.345	1
27	M1,6×6×4 48.A.05 (ОСТ3-105.3—72)***	1
28	8.919.006	1
29	6.325.000	1
30	6.395.004	1
31	8.613.003	1
32	6.306.003	1
33	6.434.003	1
34	8.610.015	1
35	7.230.001	1
36	8.387.029	1
37	8.903.013	4
38	5.822.123	1
39	6.622.305	1
40	8.903.314	3

Позиция Reference Repère Position No.de ref.	Обозначение Designation Désignation Bezeichnung Designación	Количество Quantity Quantité Stückzahl Cantidad
41	8.230.916	1
42	6.251.001	1
43	6.604.002	1
44	8.212.242	1
45	8.905.762	4
46	8.383.451	2
47	VI 2 mm P* (ГОСТ 3722—60)	1
48	8.903.080	2
49	8.610.873	2
50	8.337.510	1
51	8.946.004	2
52	8.383.015	2
53	6.110.129	1
54	8.352.001	1
55	8.337.509	1
56	8.241.010	1
57	6.395.011	1
58	6.420.002	1
59	8.600.021	1
60	8.903.029	2
61	5.822.004	1
62	8.900.035	1
63	6.614.001	1
64	8.943.015	1
65	8.930.000	1
66	8.229.029	1
67	6.354.033	1
68	6.622.012	2
69	6.622.013	1
70	8.902.023	4
71	6.622.303	1
72	2M2-6×8.48A.05** (ГОСТ 1491—72)	1
73	6.115.077	1
74	8.220.005	2
75	8.903.012	2
76	6.120.431	2
77	8.902.429	2
78	6.275.003	1
79	8.455.000	2
80	8.914.016	2
81	8.634.700	1
82	8.600.022	1
83	8.000.050	1

* Тросик Straight thread Câble Seil Cablecito
** State standard Norme soviétique Staatlicher Standard Norma estatal
*** Винт Screw Vis Schraube Tornillo

* Шарик Ball Bille Kugel Bola
** Винт Screw Vis Schraube Tornillo

Позиция Reference Repère Position No. de ref.	Обозначение Designation Désignation Bezeichnung Designación	Количество Quantity Quantité Stückzahl Cantidad
84	8.903.036	5
85	6.122.301	1
86	8.903.040	7
87	6.280.002	1
88	8.942.060	3
89	8.942.043	3
90	6.354.251	1
91	8.900.689	1
92	8.380.016	1
93	8.383.018	1
94	8.600.027	1
95	6.278.002	1
96	2M1,6-6×4.48.05 (OCT3-105.3—72)*	2
97	8.903.023	3
98	6.379.000	1
99	6.120.422	1
100	8.942.109	1
101	8.942.108	1
102	6.354.022	1
103	8.227.037	1
104	6.378.000	1
105	8.314.024	1
106	8.126.019	1
107	8.939.017	1
108	6.354.020	1
109	6.305.001	1
110	8.946.001	2
111	8.385.048	1
112	6.304.002	1
113	8.050.024	1
114	6.375.000	1
115	8.903.020	3
116	8.900.033	3
117	8.318.027	1
118	8.900.034	1
119	8.366.045	1
120	6.120.423	1
121	8.380.014	1
122	8.070.617	1
123	6.463.004	1
124	6.395.006	1
125	6.376.500	1
126	8.389.004	1
127	6.354.028	1

Позиция Reference Repère Position No. de ref.	Обозначение Designation Désignation Bezeichnung Designación	Количество Quantity Quantité Stückzahl Cantidad
128	8.942.152	1
129	8.318.026	1
130	6.374.000	1
131	8.332.043	1
132	8.380.013	1
133	8.410.036	2
134	8.946.006	2
135	8.942.114	2
136	8.942.029	2
137	6.360.003	2
138	6.370.135	2
139	8.903.040	1
140	8.942.082	2
141	8.385.037	1
142	6.120.430	1
143	8.386.013	2
144	8.366.759	1
145	8.909.429	1
146	8.385.036	1
147	8.900.021	1
148	8.229.026	1
149	8.332.045	1
150	8.385.034	1
151	6.120.118	1
152	6.370.015	1
153	8.440.003	1
154	8.900.012	1
155	8.410.040	1
156	8.900.030	1
157	6.137.000	1
158	8.318.028	1
159	1,6-0,1.05* (ГОСТ 10450—68)	2
160	8.902.003	1
161	8.340.002	1
162	8.900.032	1
163	6.365.027	1
164	6.379.003	1
165	6.057.001	1
166	8.600.018	1
167	6.278.003	1
168	8.610.018	1
169	8.900.043	4
170	8.903.036	3
171	8.680.008	1

Позиция Reference Repère Position No.de ref.	Обозначение Designation Désignation Bezeichnung Designación	Количество Quantity Quantité Stückzahl Cantidad
172	8.942.087	2
173	8.203.008	1
174	8.900.029	1
175	8.385.035	1
176	8.680. ⁰¹¹ / ₀₁₅	5
177	8.318.025	2
178	6.370.116	1
179	6.370.117	1
180	8.934.003	1
181	6.365.002	1
182	8.314.366	1
183	8.410.029	1
184	8.900.030	1
185	2M1,6-6×4.48.05* (ГОСТ 1491—72)	1
186	6.462.003	1
187	8.900.030	1
188	8.464.010	1
189	6.360.001	1
190	8.900.030	1
191	8.900.916	1
192	8.360.603	1
193	8.340.046	1
194	6.354.269	1
195	8.903.337	1
196	8.905.006	3
197	6.232.000	2
198	6.309.001	2
199	6.232.002	3
200	6.232.001	3
201	8.310.058	1
202	6.261.000	4
203	6.437.807	1
204	8.310.043	1
205	8.310.042	1
206	6.267.002	2
207	6.304.054	1
208	8.645.050	1
209	8.645.438	1
210	8.645.913	1
211	8.645.047	1
212	8.645.045	1
213	8.645.043	1
214	8.645.048	1

Позиция Reference Repère Position No.de ref.	Обозначение Designation Désignation Bezeichnung Designación	Количество Quantity Quantité Stückzahl Cantidad
215	6.115.673	1
216	6.272.006	1
217	6.066.0001	1
218	8.387.022	1
219	8.905.762	4
220	8.634.501.	1
221	8.600.009	1
222	8.610.828	1
223	8.318.021	4
224	6.120.420	1
225	8.332.031	1
226	6.150.000	1
227	2M1,6-6×2.48.05* (ГОСТ 1491—72)	6
228	8.387.019	1
229	6.206.010	2
230	8.383.009	1
231	8.667.012	1
232	8.387.021	1
233	8.918.002	2
234	8.918.003	2
235	8.203.656	1
236	6.468.001	1
237	6.110.011	1
238	8.943.008	1
239	2M1,6-6×2.48.05* (ГОСТ 1491—72)	1
240	8.946.002	1
241	8.203.655	1
242	8.050.018	1
243	8.387.020	1
244	8.903.389	4
245	2M1,6-6×2.48.05* (ГОСТ 1491—72)	2
246	8.610.008	1
247	6.122.750	1
248	8.635.044	1
249	6.420.062	1
250	8.610. ⁰⁰⁹ / ₀₁₀	2
251	8.332.032	1
252	8.903.036	6
253	6.056.011	1
254	6.430.971	1
255	6.170.001	1
256	8.943.007	1

Позиция Reference Repère Position No.de ref.	Обозначение Designation Désignation Bezeichnung Designación	Количество Quantity Quantité Stückzahl Cantidad
257	8.900.025	1
258	6.354.019	1
259	6.110.009	1
260	8.332.033	1
261	6.272.005	1
262	8.337.507	1
263	8.380.012	1
264	8.900.006	1
265	8.903.012	2
266	8.903.013	7
267	7.027.000	1
268	8.332.029	1
269	8.318.017	1
270	8.385.019	1
271	7.021.005	1
272	8.380.008	1
273	6.354.013	1
274	8.310.029	3
275	8.942.078	1
276	8.318.019	1
277	8.380.011	1
278	6.120.419	1
279	8.903.036	2
280	8.364.403	1
281	8.380.009	1
282	8.942.097	1
283	8.318.018	1
284	6.370.118	1
285	6.370.011	1
286	8.416.006	1
287	8.385.020	1
288	6.066.002	1
289	8.380.010	1
290	6.354.056	1
291	6.354.055	1
292	8.318.081	1
293	8.385.062	1
294	8.318.022	1
295	6.354.016	1
296	8.380.007	1
297	6.370.012	1
298	6.354.244	1
299	6.354.244	1
300	6.275.001	1
301	8.645.029	1
302	8.645.026	1
303	8.645.818	1

Позиция Reference Repère Position No.de ref.	Обозначение Designation Désignation Bezeichnung Designación	Количество Quantity Quantité Stückzahl Cantidad
304	8.645.025	1
305	8.645.819	1
306	8.645.028	1
307	8.242.574	1
308	5.913.085	1
309	8.223.953	1
310	5.822.122	1
311	7.025.340	1
312	7.025.338	1
313	7.025.339	1
314	8.127.208	1
315	8.903.337	3
316	8.242.759	1
317	8.903.029	3
318	8.248.171	1
319	6.354.395	1
320	8.314.755	1
321	8.380.234	1
322	8.903.013	2
323	8.332.606	1
324	8.318.661	1
325	8.380.238	1
326	8.380.239	1
327	8.611.619	1
328	8.228.787	1
329	8.942.291	1
330	8.903.036	1
331	8.900.018	4
332	8.900.697	133
333	9.903.312	3
334	8.090.994	1
335	7.103.194	1
336	7.103.195	1
337	8.900.013	4
338	8.606.206	2
339	8.909.468	6
340	8.656.525	1
341	5.185.080	1
342	5.185.070	1

Позиция Reference Repère Position No.de ref.	Обозначение Designation Désignation Bezeichnung Designación	Количество Quantity Quantité Stückzahl Cantidad
343	8.909.422	2
344	8.606.122	1
345	Ш 2,0Н* (ГОСТ 3722—60)	1
346	7.006.884	2
347	7.006.883	1
348	9.137.443	3
349	8.097.017	1
350	8.900.634	2
351	8.611.644	1
352	8.392.031	1
353	8.360.688	1
354	8.314.766	1
355	7.027.788	1
356	8.901.199	2
357	7.027.787	1
358	6.430.385	385
359	8.903.013	8
360	7.021.160	1
361	8.681.877	1
362	6.614.079	1
363	8.943.011	1
364	9.137.624	1
365	6.050.638	1
366	8.943.114	1
367	8.330.379	1

Позиция Reference Repère Position No.de ref.	Обозначение Designation Désignation Bezeichnung Designación	Количество Quantity Quantité Stückzahl Cantidad
368	7.732.491	1
369	6.050.637	1
370	8.902.000	2
371	7.723.045	1
372	8.318.526	1
373	7.723.035	1
374	8.903.017	3
375	7.841.296	1
376	МП12 ОЮ3.602.069 ТУ*	1
377	8.387.654	1
378	8.128.089	1
379	8.909.718	2
380	8.905.009	8381
381	9.317.186	1
382	8.902.240	2
383	8.021.501	1
384	8.060.599	1
385	8.902.007	2
386	8.090.994	1
387	8.903.013	4
388	8.645.826	1
389	8.645.825	1
390	8.645.824	1
391	8.645.823	1
392	8.645.656	1
393	6.437.806	1

Downloaded from <http://araxfoto.com/manuals/>

* Шарик
Ball
Bille
Kugel
Bola

* Микровыключатель
Microswitch
Microinterrupteur
Mikroschalter
Microinterruptor